

These flanged bearing housings are designed to use self aligning ball bearings series 12 K and 22 K or spherical roller bearings series 222 K. Fixing of the bearings on the shaft is by means of an adapter sleeve.

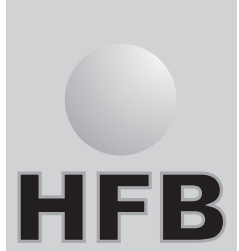
HFB supplies these housings for through shaft (Arrangement B) and as an end bearing housing with end cover (Arrangement A).

Flanged bearing housings series 7225.. are sealed with felt strip and designed for grease lubrication. A R1/8" grease hole is incorporated in the housing for eventual later greasing. For shaft diameters 20 - 60 the housing is supplied in a triangular form with 3 mounting bolts, for the shaft range 65 - 100 in square form with 4 mounting holes.

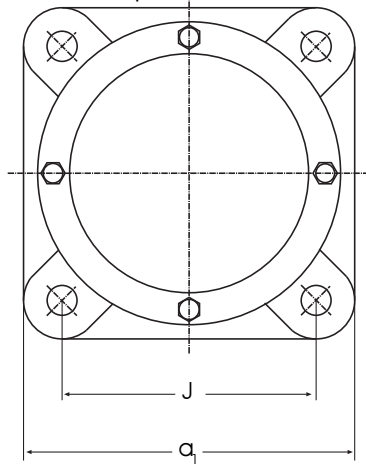
The bearing seat in the housing is designed with a bore tolerance H7 and for a floating bearing. Locating bearing arrangements are obtained by fitting the matching fixing rings between the housing shoulder and bearing outer race.

7225(00) Flanged bearing Housings are manufactured from grey cast. On request housings manufactured from ductile iron can also be delivered.

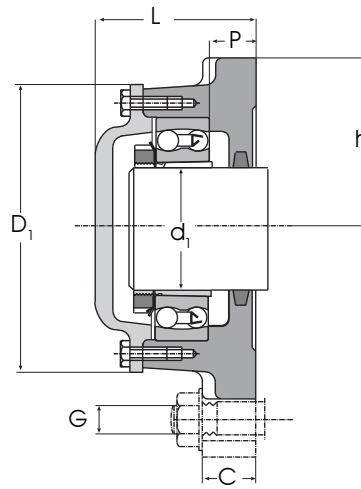
Housed Bearing Units



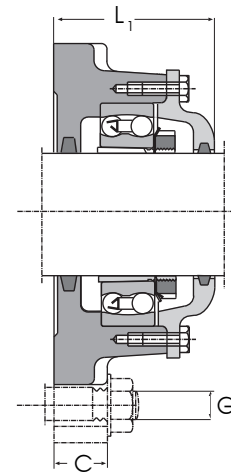
Flanged bearing housings
Series 7225...WA/WB
 for self aligning ball or roller bearings with
 adapter sleeve



Form for shafts $\varnothing 65 - \varnothing 100$



Arrangement A

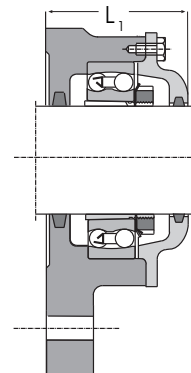
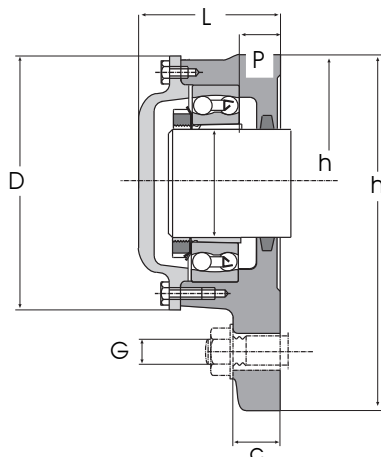
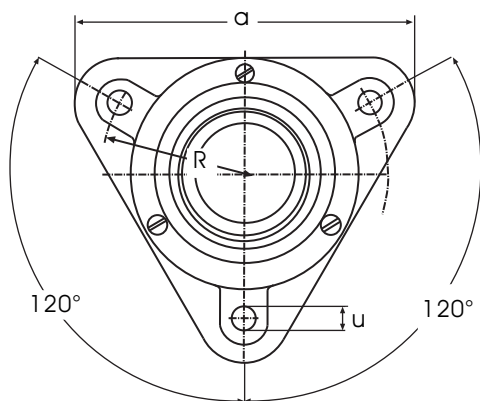


Arrangement B

Housing Ref	Weight kg	Dimensions mm													
		d_1	D_1	L	L_1	h	h_1	a	c	R	G	P	a_1	J	
722505 WA 722505 WB	1,2	20	75	54	59	38	100	110	10	48	M 10	15	-	-	
722506 WA 722506 WB	1,5	25	86	60	62	44	117	130	12	58	M 10	16	-	-	
722507 WA 722507 WB	1,8	30	97	62	65	48,5	130	145	12	65	M 12	16	-	-	
722508 WA 722508 WB	2,3	35	108	65	70	54	143	160	12	70	M 12	17	-	-	
722509 WA 722509 WB	3,0	40	113	66	72	60	160	180	14	80	M 12	20	-	-	
722510 WA 722510 WB	3,2	45	118	66	72	60	160	180	14	80	M 12	22	-	-	
722511 WA 722511 WB	4,1	50	128	77	82	65	172	190	15	85	M 12	24	-	-	
722512 WA 722512 WB	4,8	55	142	77	82	70	189	206	16	90	M 12	23	-	-	
722513 WA 722513 WB	5,9	60	152	80	85	75	103	219	16	95	M 12	22	-	-	
722515 A 722515 B	9,5	65	168	100	107	95	-	-	25	-	M 16	30	190	152	
722516 A 722516 B	10	70	176	104	113	98	-	-	25	-	M 16	31	196	152	
722517 A 722517 B	12	75	188	109	114	105	-	-	25	-	M 16	31	210	170	
722518 A 722518 B	13	80	189	113	118	105	-	-	25	-	M 16	30	210	170	
722520 A 722520 B	18	90	224	122	127	125	-	-	30	-	M 20	30	250	198	
722522 A 722522 B	22	100	246	131	137	135	-	-	30	-	M 20	30	270	219	

Housed Bearing Units

Flanged bearing housings
Series 7225...WA/WB
 for self aligning ball or roller bearings with
 adapter sleeve



Form for shafts $\varnothing 20 - \varnothing 60$

Arrangement A

Arrangement B

Housing Ref	Bearing + Adapter sleeve	Fixing Rings	Felt Strip	End Cover Bolts
722505 WA 722505 WB	1205 K H 205	1 x FR 5/52	5 x 4 x 90	M 5 x 16 DIN 964
	2205 K H 305	22205 K H 305		1 x FR 2/52
722506 WA 722506 WB	1206 K H 206	1 x FR 6/62	6 x 5 x 115	M 5 x 16 DIN 964
	2206 K H 306	22206 K H 306		1 x FR 2/62
722507 WA 722507 WB	1207 K H 207	1 x FR 8/72	6 x 5 x 130	M 5 x 16 DIN 964
	2207 K H 307	22207 K H 307		1 x FR 2/72
722508 WA 722508 WB	1208 K H 208	1 x FR 7/80	6 x 5 x 145	M 5 x 16 DIN 964
	2208 K H 308	22208 K H 308		1 x FR 2/80
722509 WA 722509 WB	1209 K H 209	1 x FR 6/85	6 x 5 x 160	M 6 x 16 DIN 964
	2209 K H 309	22209 K H 309		1 x FR 2/85
722510 WA 722510 WB	1210 K H 210	1 x FR 5/90	6 x 5 x 175	M 6 x 16 DIN 964
	2210 K H 310	22210 K H 310		1 x FR 2/90
722511 WA 722511 WB	1211 K H 211	1 x FR 6/100	8 x 6,5 x 200	M 6 x 16 DIN 964
	2211 K H 311	22211 K H 311		1 x FR 2/100
722512 WA 722512 WB	1212 K H 212	1 x FR 8/110	8 x 6,5 x 215	M 6 x 16 DIN 964
	2212 K H 312	22212 K H 312		1 x FR 2/110
722513 WA 722513 WB	1213 K H 213	1 x FR 10/120	8 x 6,5 x 230	M 6 x 16 DIN 964
	2213 K H 313	22213 K H 313		1 x FR 2/120
722515 A 722515 B	1215 K H 215	2 x FR 8/130	8 x 6,5 x 245	M 8 x 25 DIN 933
	2215 K H 315	22215 K H 315		1 x FR 10/130
722516 A 722516 B	1216 K H 216	2 x FR 9/140	9 x 7,5 x 270	M 8 x 25 DIN 933
	2216 K H 316	22216 K H 316		1 x FR 10/140
722517 A 722517 B	1217 K H 217	2 x FR 9/150	9 x 7,5 x 285	M 8 x 25 DIN 933
	2217 K H 317	22217 K H 317		1 x FR 10/150
722518 A 722518 B	1218 K H 218	2 x FR 10/160	9 x 7,5 x 300	M 8 x 25 DIN 933
	2218 K H 318	22218 K H 318		1 x FR 10/160
722520 A 722520 B	1220 K H 220	1 x FR 10/180	10 x 8,5 x 335	M 8 x 25 DIN 933
	2220 K H 320	22220 K H 320		1 x FR 10/180
722522 A 722522 B	1222 K H 222	2 x FR 12,5/20012 x 10 x 375		M 8 x 25 DIN 935
	2222 K H 322	22222 K H 322		1 x FR 10/200