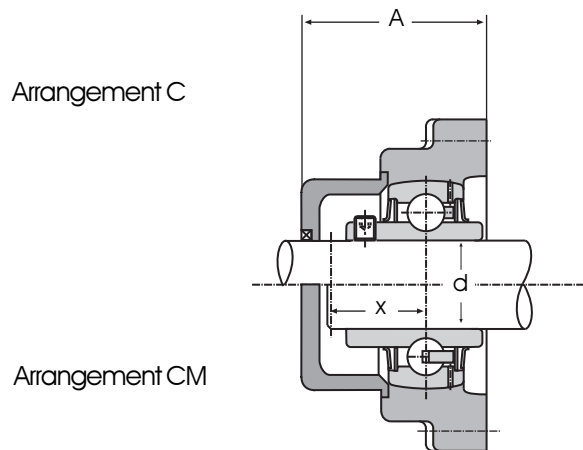


# Housed Bearing Unit with Protective Covers

Series            CM - FUU  
                       C - FUU



Unit Ref	Shaft Diameter d	Bearing Ref	Dimensions mm	
			A	x
CM - FUU 30	30	UC 206	64	23
C - FUU 30		UC 206	64	-
CM - FUU 35	35	UC 207	66	28
C - FUU 35		UC 207	66	-
CM - FUU 40	40	UC 208	70	32
C - FUU 40		UC 208	70	-
CM - FUU 45	45	UC 209	75	32
C - FUU 45		UC 209	75	-
CM - FUU 50	50	UC 210	82	35
C - FUU 50		UC 210	82	-
CM - FUU 55	55	UC 211	87	37
C - FUU 55		UC 211	87	-
CM - FUU 60	60	UC 212	88	43
C - FUU 60		UC 212	88	-
CM - FUU 65	65	UC 213	88	43
C - FUU 65		UC 213	88	-
CM - FUU 70	70	UC 214	105	48
C - FUU 70		UC 214	105	-
CM - FUU 75	75	UC 215	99	48
C - FUU 75		UC 215	99	-
CM - FUU 80	80	UC 216	99	53
C - FUU 80		UC 216	99	-