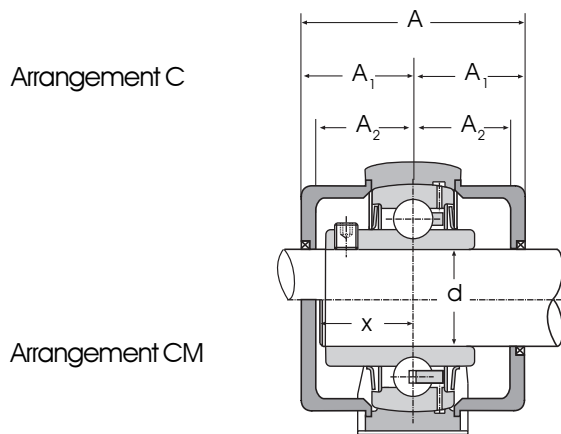


# Housed Bearing Unit with Protective Covers

Series            CM - SIU  
                       C - SIU



Unit Ref	Shaft Diameter d	Bearing Ref	Dimensions mm			
			A	x	A <sub>1</sub>	A <sub>2</sub>
CM - SIU 30	30	UC 206	75	23	37,5	26
C - SIU 30		UC 206	75	-	37,5	26
CM - SIU 35	35	UC 207	81	28	40,5	30
C - SIU 35		UC 207	81	-	40,5	30
CM - SIU 40	40	UC 208	92	32	46,0	35
C - SIU 40		UC 208	92	-	46,0	35
CM - SIU 45	45	UC 209	95	32	47,5	36
C - SIU 45		UC 209	95	-	47,5	36
CM - SIU 50	50	UC 210	98	35	49,0	37
C - SIU 50		UC 210	98	-	49,0	37
CM - SIU 55	55	UC 211	100	37	50,0	38
C - SIU 55		UC 211	100	-	50,0	38
CM - SIU 60	60	UC 212	114	43	57,0	45
C - SIU 60		UC 212	114	-	57,0	45
CM - SIU 65	65	UC 213	114	43	57,0	45
C - SIU 65		UC 213	114	-	57,0	45
CM - SIU 70	70	UC 214	125	48	62,5	51
C - SIU 70		UC 214	125	-	62,5	51
CM - SIU 75	75	UC 215	125	48	62,5	51
C - SIU 75		UC 215	125	-	62,5	51
CM - SIU 80	80	UC 216	140	53	70,0	58
C - SIU 80		UC 216	140	-	70,0	58
CM - SIU 90	90	UC 218	155	60	77,5	65
C - SIU 90		UC 218	155	-	77,5	65