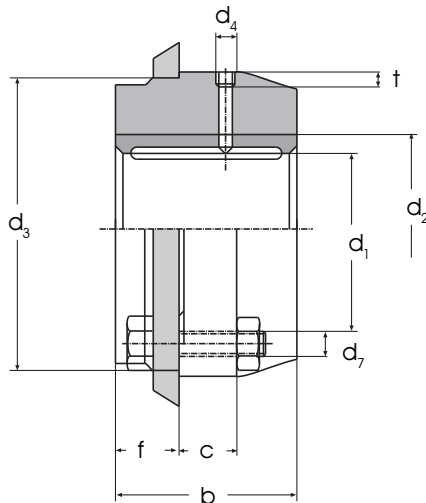
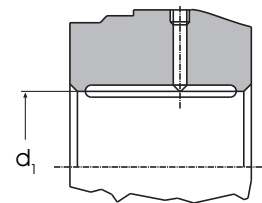


Style B with Bush



Style D without Bush



Arrangement		Weight	Dimensions													
B	D		mm													
with Bush	without Bush	kg	a	m	h	n	d <sub>5</sub>	d <sub>6</sub>	d <sub>2</sub>	d <sub>3</sub>	d <sub>4</sub>	t	b	c	f	
d <sub>1</sub> / D10	d <sub>1</sub> / D7															
35	45	2,9	145	110	85	50	35	14	45	80	R 1/4	12	70	20	20	
40	50	3,0	145	110	85	50	35	14	50	80	R 1/4	12	70	20	20	
45	55	5,5	175	130	105	60	45	18	55	100	R 1/4	12	80	25	20	
50	60	5,3	175	130	105	60	45	18	60	100	R 1/4	12	80	25	20	
55	-	8,1	195	150	125	80	45	18	-	120	R 1/4	12	90	25	25	
60	70	7,8	195	150	125	80	45	18	70	120	R 1/4	12	90	25	25	
70	80	12,0	220	170	150	100	50	22	80	140	R 1/4	12	100	30	25	
80	90	14,5	240	190	170	120	50	22	90	160	R 1/4	12	100	30	30	
90	100	25,0	260	210	190	140	50	22	100	180	R 1/4	12	120	30	30	
-	110	24,0	260	210	190	140	50	22	-	180	R 1/4	12	120	30	30	
100	125	30,0	285	230	215	160	55	26	125	200	R 3/8	13	120	35	40	
110	-	28,0	285	230	215	160	55	26	-	200	R 3/8	13	120	33	40	
125	140	48,0	310	250	240	180	60	26	140	230	R 3/8	13	140	40	40	
140	160	57,0	330	270	270	210	60	26	155	260	R 3/8	13	160	40	40	
-	180	55,0	330	270	270	210	60	26	165	260	R 3/8	13	160	40	40	
160	-	82,0	365	300	305	240	65	33	175	290	R 3/8	13	180	45	40	
180	-	95,0	365	300	305	240	65	33	195	290	R 3/8	13	180	45	40	