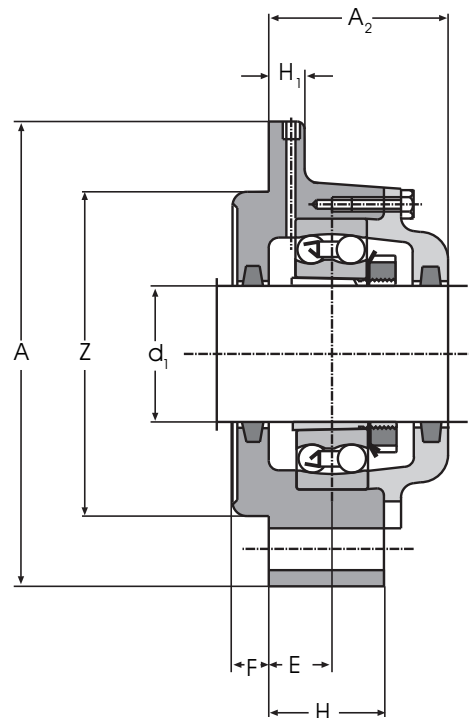
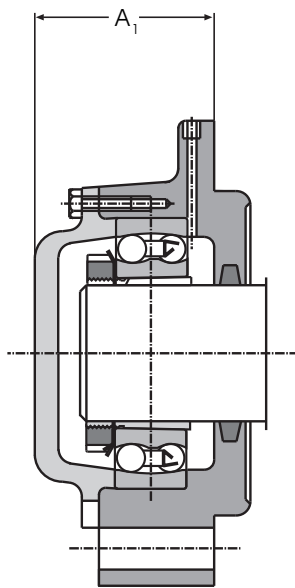
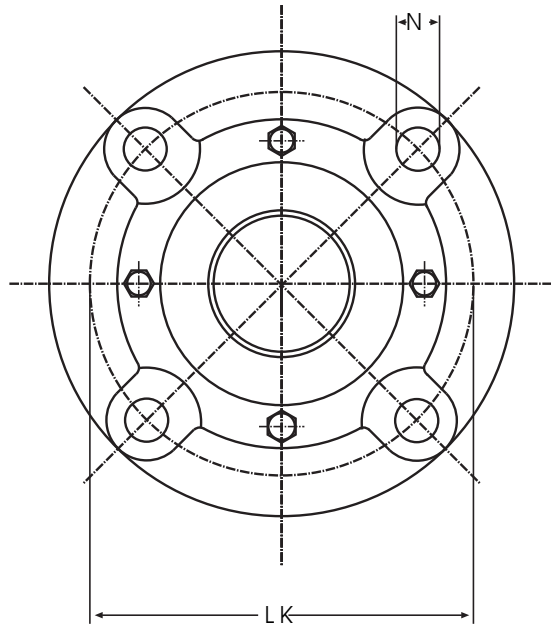


# DRUM INNER BEARING

## Series FIZ...K

For self-aligning ball bearings or spherical roller bearings  
with adapter sleeve



Housing Ref	Dimensions mm										
	$d_1$	$A_1$	$A_2$	H	$H_1$	F	E	LK	$Z_{h9}$	N	A
FIZ 2209 K	40	48	51	30	15	12	16,5	132	105	16	160
FIZ 2211 K	50	63	66	40	15	12	24,5	150	125	18	185
FIZ 2212 K	55	63	66	40	15	12	21,0	160	135	18	195
FIZ 2213 K	60	66	68	42	15	14	22,5	170	145	18	205