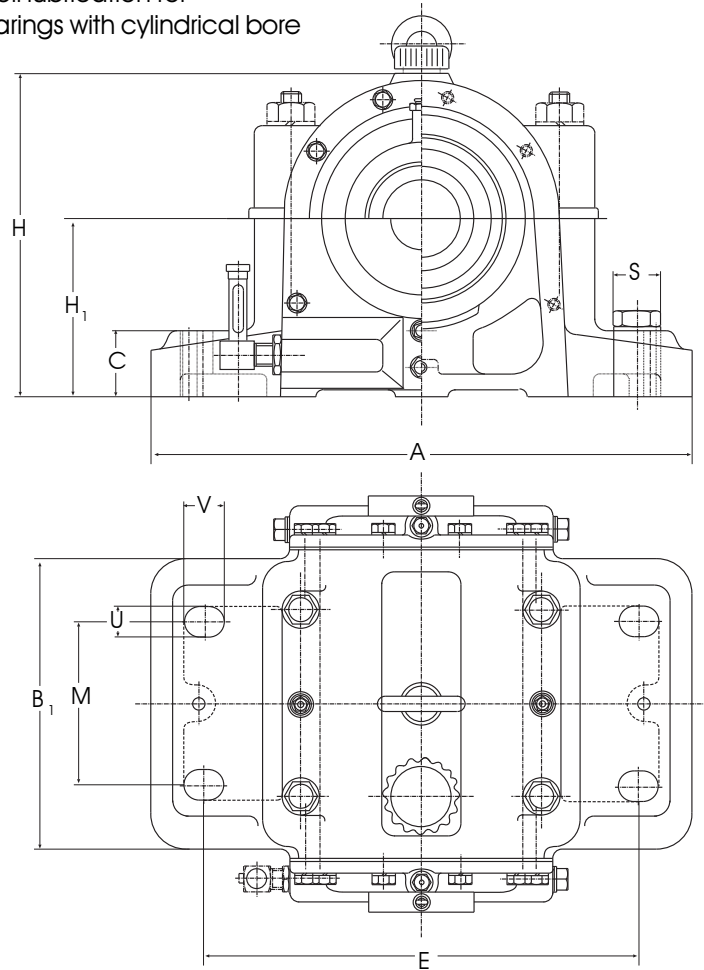


Plummer Block Housings (split)

Series GOF 2
with oil splash ring lubrication

Series GUF 2
rotating oil lubrication for
Spherical roller bearings with cylindrical bore

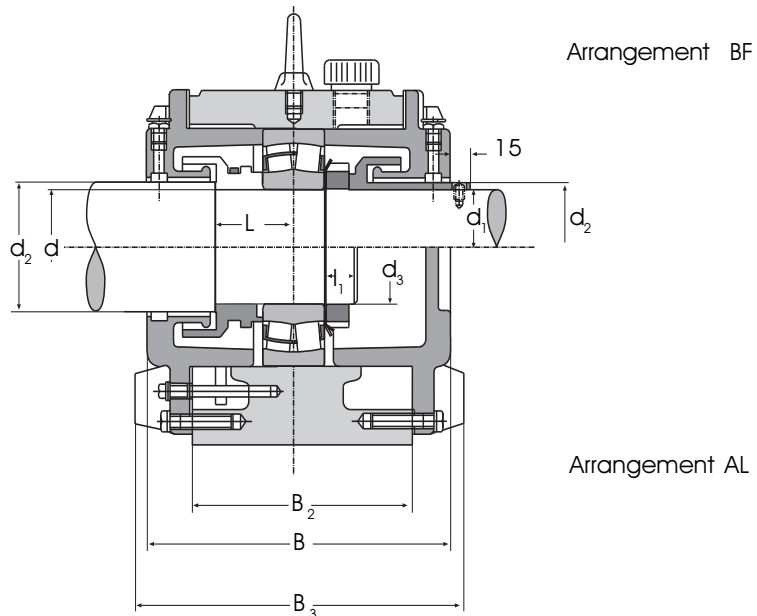


Housing Ref No	d	d ₁	d ₂	d ₃	H	H ₁	A	E	C	S	M	B	B ₁	B ₂	B ₃	U	V	L	I ₁	Weight kg
GOF 217	85	82	90	M 85x2	135	250	410	340	48	M20	80	225	150	160	235	25	35	62	19	45
GOF 218	90	87	95	M 90x2	135	250	410	340	48	M20	80	225	150	160	235	25	35	61	20	50
GOF 219	95	92	100	M 95x2	150	275	490	400	50	M24	80	250	160	170	260	30	45	67	20	62
GOF 220	100	97	110	M100x2	150	280	490	400	50	M24	80	250	160	170	265	30	45	60	22	68
GOF 222	110	107	116	M110x2	165	305	510	420	50	M24	80	250	165	175	265	30	45	70	22	75
GOF 224	120	117	126	M120x2	175	325	550	440	55	M30	80	250	165	175	265	36	50	72	23	80
GOF 226	130	127	136	M130x2	190	350	570	460	65	M30	90	260	175	185	275	36	50	77	24	90
GOF 228	140	137	150	M140x2	190	365	570	460	65	M30	100	260	175	180	275	36	50	73	24	100
GOF 230	150	147	156	M150x2	220	400	660	530	70	M36	100	275	190	200	290	42	60	82	27	120
GOF 232	160	155	170	M160x3	220	410	660	530	70	M36	110	290	200	210	305	42	60	80	30	135
GOF 234	170	165	176	M170x3	260	465	710	580	85	M36	110	300	200	210	315	42	60	90	30	160
GOF 236	180	175	190	M180x3	260	465	710	580	85	M36	110	300	200	210	315	42	60	90	32	165
GOF 238	190	185	196	M190x3	270	485	820	670	90	M42	130	350	240	250	365	48	70	95	32	240
GOF 240	200	195	210	M200x3	280	510	830	670	90	M42	130	360	240	260	375	48	70	100	34	250
GOF 244	220	212	230	Tr220x4	310	565	880	720	105	M42	130	380	240	280	395	48	70	108	36	310
GOF 248	240	235	260	Tr240x4	340	625	980	820	120	M42	165	400	280	300	415	48	70	120	40	390

Plummer Block Housings (split)

Series GOF 2
with oil splash ring lubrication

Series GUF 2
rotating oil lubrication for
Spherical roller bearings with cylindrical bore



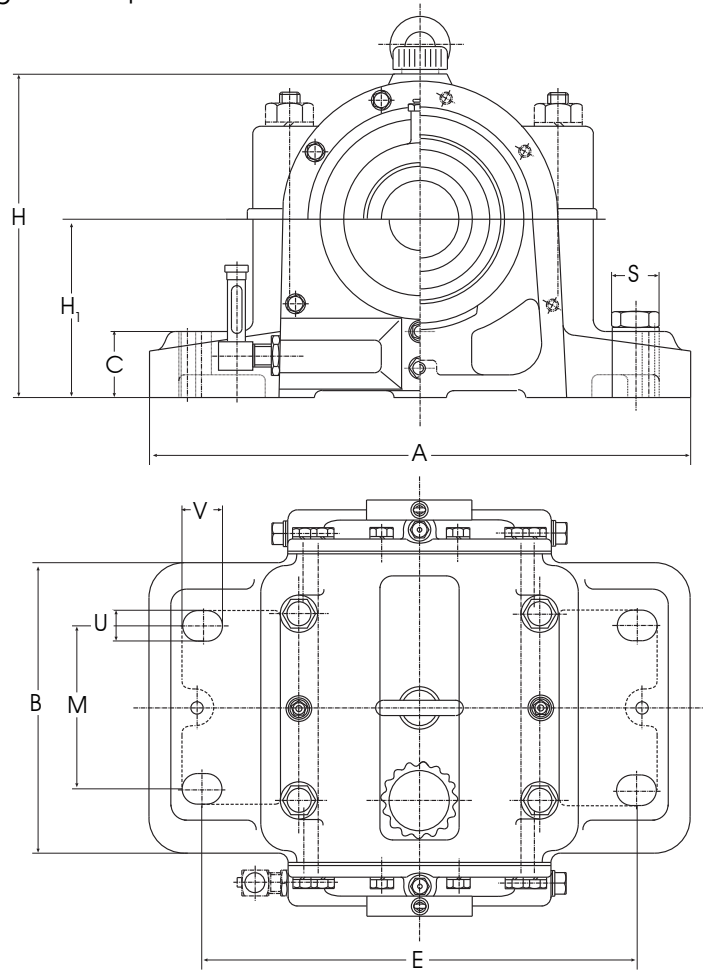
Housing Ref No	Matching Bearing	Locking Nut	Safety Washer	Oil volume Liter	Oil level min - max mm
GOF 217	22217	KM 17	MB 17	1,2	50 - 65
GOF 218	22218	KM 18	MB 18	1,3	45 - 60
GOF 219	22219	KM 19	MB 19	1,4	55 - 70
GOF 220	22220	KM 20	MB 20	1,5	50 - 65
GOF 222	22222	KM 22	MB 22	1,9	50 - 70
GOF 224	22224	KM 24	MB 24	2,1	50 - 70
GOF 226	22226	KM 26	MB 26	2,1	55 - 75
GOF 228	22228	KM 28	MB 28	3,5	55 - 70
GOF 230	22230	KM 30	MB 30	4,0	65 - 90
GOF 232	22232	KM 32	MB 32	4,0	60 - 90
GOF 234	22234	KM 34	MB 34	5,7	90 - 105
GOF 236	22236	KM 36	MB 36	5,7	75 - 110
GOF 238	22238	KM 38	MB 38	7,0	70 - 100
GOF 240	22240	KM 40	MB 40	8,0	75 - 100
GOF 244	22244	KM 44	MB 44	10,0	80 - 110
GOF 248	22248	KM 48	MB 48	14,0	100 - 125

Plummer Block Housings (split)

Series GOF 5
with oil splash ring lubrication



Series GUF 5
rotating oil lubrication for
Spherical roller bearings with adapter sleeve

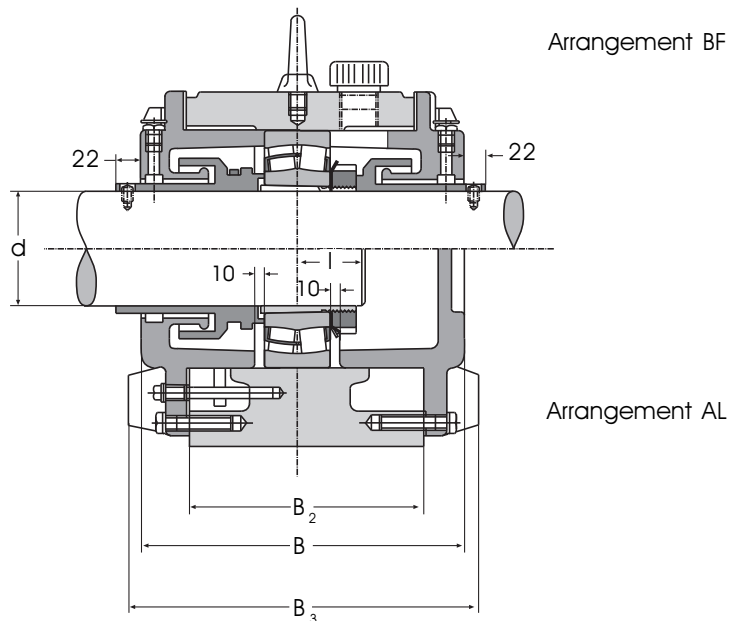


Housing Ref No	d	H ₁	H	A	E	C	S	M	B mm	B ₁	B ₂	B ₃	U	V	I	Weight kg
GOF 517	75	135	250	410	340	48	M 20	80	225	150	160	235	25	35	42	45
GOF 518	80	135	250	410	340	48	M 20	80	225	150	160	235	25	35	45	50
GOF 519	85	150	275	490	400	50	M 24	80	250	160	170	260	30	45	45	62
GOF 520	90	150	280	490	400	50	M 24	80	250	160	170	265	30	45	50	68
GOF 522	100	165	305	510	420	50	M 24	80	250	165	175	265	30	45	60	75
GOF 524	110	175	325	550	440	55	M 30	80	250	165	175	265	36	50	60	80
GOF 526	115	190	350	570	460	65	M 30	90	260	175	185	275	36	50	65	90
GOF 528	125	190	365	570	460	65	M 30	100	260	175	180	275	36	50	65	100
GOF 530	135	220	400	660	530	70	M 36	100	275	190	200	290	42	60	70	120
GOF 532	140	220	410	660	530	70	M 36	110	290	200	210	305	42	60	75	135
GOF 534	150	260	465	710	580	85	M 36	110	300	200	210	305	42	60	80	160
GOF 536	160	260	465	710	580	85	M 36	110	300	200	210	3,05	42	60	80	165
GOF 538	170	270	485	820	670	90	M 42	130	350	240	250	365	48	70	85	240
GOF 540	180	280	510	830	670	90	M 42	130	360	240	260	375	48	70	90	250
GOF 544	200	310	565	880	720	105	M 42	130	380	240	280	395	48	70	100	310
GOF 548	220	340	625	980	820	120	M 42	165	400	280	300	415	48	70	110	390

Plummer Block Housings (split)

Series GOF 5
with oil splash ring lubrication

Series GUF 5
rotating oil lubrication for
Spherical roller bearings with adapter sleeve



Housing Ref No	Matching Bearing	Locking Nut	Oil volume Liter	Oil level min - max mm
GOF 517	22217 K	H 317	1,2	50 - 65
GOF 518	22218 K	H 318	1,3	45 - 60
GOF 519	22219 K	H 319	1,4	55 - 70
GOF 520	22220 K	H 320	1,5	50 - 65
GOF 522	22222 K	H 322	1,9	50 - 70
GOF 524	22224 K	H 3124	2,1	50 - 70
GOF 526	22226 K	H 3126	2,1	55 - 70
GOF 528	22228 K	H 3128	3,5	55 - 75
GOF 530	22230 K	H 3130	4,0	65 - 90
GOF 532	22232 K	H 3132	4,0	60 - 80
GOF 534	22234 K	H 3134	5,7	90 - 105
GOF 536	22236 K	H 3136	5,7	75 - 110
GOF 538	22238 K	H 3138	7,0	70 - 100
GOF 540	22240 K	H 3140	8,0	75 - 100
GOF 544	22244 K	H 3144	10,0	80 - 110
GOF 548	22248 K	H 3148	14,0	100 - 125