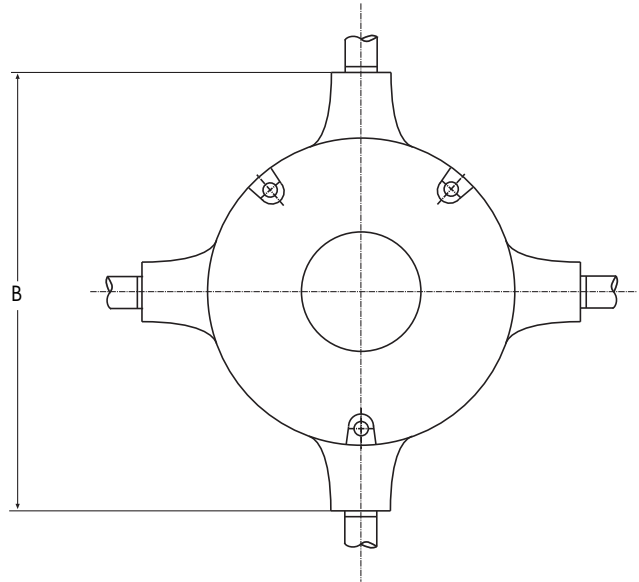
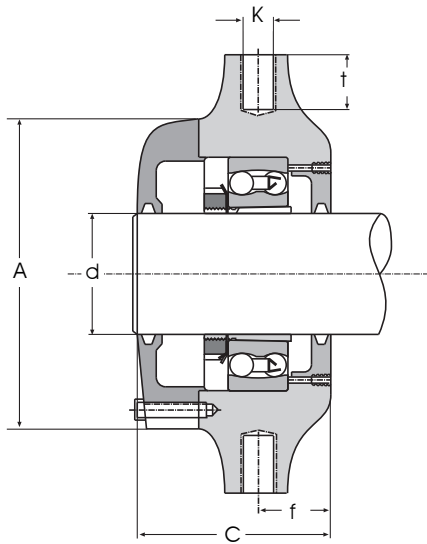


Tension Bearing Housings

Series SBL

for Self aligning ball bearings with Adapter sleeve



Housing Ref No	Weight kg	d	A	B	C mm	t	f	K	Quantity Matching Bearing Tensioners with adapter sleeve		
SBL 25	2,3	25	100	150	70	22	29	R 3/8"	4	1306 K	H 306
SBL 30	2,7	30	120	170	75	25	30	R 1/2"	3	1307 K	H 307
SBL 40	3,8	40	140	190	85	28	32	R 1/2"	4	1309 K	H 309
SBL 50	5,5	50	160	210	95	28	40	R 1/2"	4	1311 K	H 311
SBL 60	9,3	60	185	250	110	32	42	R 1"	4	1313 K	H 313
SBL 70	14,0	70	205	290	130	40	48	R 1"	4	2316 K	H 2316