

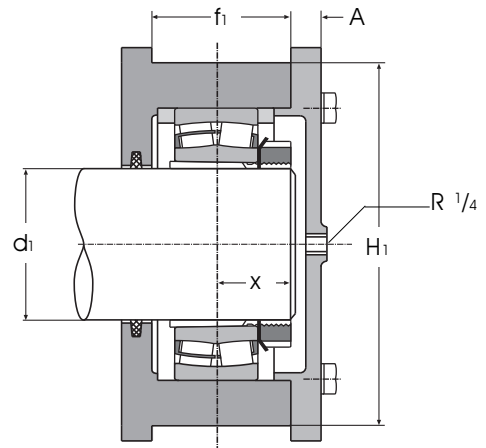
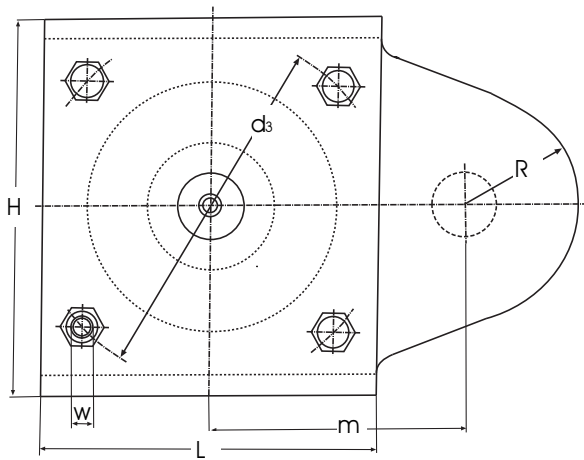
Take-up Bearing Housings

Series SLG

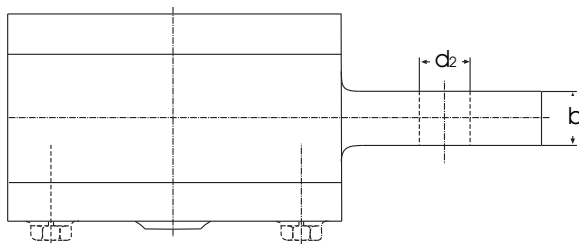
for self aligning ball or roller bearings with adapter sleeve



Arrangement AF



Arrangement AL



Housing Ref No	d ₁	d ₂	d ₃	L	H	m	H ₁ mm	f ₁	A	x	w	R	b	Weight kg
SLG 40	40	21	130	120	140	95	120	57	12	22	M 8	38	25	10
SLG 50	50	21	130	120	140	95	120	57	12	25	M 8	38	25	10
SLG 60	60	31	170	160	180	120	160	64	17	30	M10	55	25	18
SLG 70	70	36	185	200	200	145	180	72	17	35	M16	57	30	27
SLG 80	80	36	205	200	200	145	180	72	17	42	M16	58	30	25
SLG 90	90	41	250	240	260	170	240	92	21	45	M16	65	35	35
SLG 100	100	41	250	240	260	170	240	92	20	49	M16	65	35	33

Take-up Bearing Housings

Series SLG

for self aligning ball or roller bearings with adapter sleeve

Housing Ref	Matching Bearing with Adapter Sleeve Ref		Fixing Rings Ref
SLG 40	1209 K	H 209	2 x FR 6/85
	2209 K	H 309	1 x FR 8/85
	22209 K	H 309	1 x FR 8/85
SLG 50	1211 K	H 211	2 x FR 6/100
	2211 K	H 311	1 x FR 8/100
	22211 K	H 311	1 x FR 8/100
SLG 60	1213 K	H 213	2 x FR 10/120
	2213 K	H 313	1 x FR 12/120
	22213 K	H 313	1 x FR 12/120
SLG 70	1216 K	H 216	2 x FR 8,5/140
	2216 K	H 316	1 x FR 10/140
	22216 K	H 316	1 x FR 10/140
SLG 80	1218 K	H 218	2 x FR 16/160
	2218 K	H 318	2 x FR 11/160
	22218 K	H 318	2 x FR 11/160
SLG 90	1220 K	H 220	2 x FR 18/180
	2220 K	H 320	2 x FR 12/180
	22220 K	H 320	2 x FR 12/180
SLG 100	1222 K	H 222	2 x FR 21,5/200
	2222 K	H 322	2 x FR 14/200
	22222 K	H 322	2 x FR 14/200