

SNI- and SN - Plummer Block Housings are split bearing housings for the fitting of self aligning ball or spherical roller bearings which are fixed to the shaft either by shrink fitting or with an adapter sleeve. They are designed for grease lubrication only and can be supplied with lubrication holes if required.. The dimensions of SNI- Housings comply with specifications laid down in DIN 736 & 737, whereas those of the SN- Housings correspond to DIN 736 till 739.

The bearing seat of SNI-Housings is manufactured in tolerance H8, that of SN-Housings in tolerance H7. A locating bearing is obtained by fitting one or two fixing rings between housing shoulder and bearing outer ring.

These Plummer Block Housings are supplied as standard with felt seals. For special applications such as high temperatures, heavy dirt loads etc, it is possible to fit these housings with a variety of seal arrangements.

When used as an end bearing (Arrangement A) a cover plate is supplied for one side instead of the normal seal.

Under the reference SSNI these housings can be supplied with reinforced base. Normally the housings do not have holes in the base. On request however, they can be supplied with either 2 or 4 mounting holes.

Materials

SNI- and SN- Plummer Block Housings are manufactured from Grey Cast Iron GG20. Housings from Spheroidal Cast Iron GGG 40 or Cast Steel GS 45 are also available for applications where housings with greater strength are required.

Loadability of the Housings

SNI- and SN- Plummer Block Housings are designed for loads applied vertically to the bridging surface. In these instances the permissible load is determined by the load rating of fitted bearing. Should loads be applied at other angles, checks should be carried out to determine whether they are still valid for the housing, the housing connecting bolts and the mounting bolts.

Values of the housing breaking load Q , for various load directions are listed in the table on page 26. A factor of 1.8 x applies to housings from material GGG 40 & GS 45.

Bolts to strength class 8.8 are supplied as standard for joining the housing upper and lower parts.

Maximum values for the connecting bolts for various load directions are listed in the table on page 27.

It is to be ensured that, when loading the housings, the connecting bolts and holding down bolts are tightened correctly.

Lubrication

SNI- and SN- Plummer Block Housings are designed solely for grease lubrication. In the majority of cases the grease filling applied during initial assembly will be sufficient to last until the general inspection. Under certain conditions however, regreasing may be necessary. We can affix the adequate lubrication hole to the housing, if required. For bearing applications in the ventilation or fan assembly where due to high speeds, a continuous lubrication is necessary, we supply SN housing variations SN..VS, SN..R with grease regulators, (see page 29)

Seals for Plummer Block Housings

Depending on the application, the plummer block can be fitted with various seals. Felt seals are simple seals which allow a circumferential speed of 4m/s. Before fitting felt seals they should be soaked in warm oil for several minutes. Should temperatures be in excess of 100 °C the felt seal should be replaced with a temperature resistant seal.

The double lip seal is split and allows a circumferential speed of 8m/s. Attention should be paid to ensure that the gap between the two sealing lips is filled with grease during assembly and that the sliding surface on the shaft is polished.

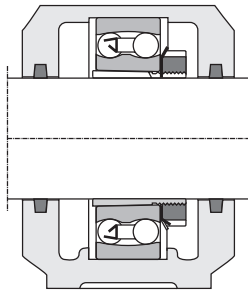
With high speeds and difficult operating conditions we recommend fitting either single or double labyrinth seals. Perbunan cord supplied with the seals is inserted between the labyrinth seal and shaft and ensures that the seals rotate with the shaft. An out of alignment of upto 0.4° between shaft and housing is permissible.

With continuous temperatures above 100 °C, a cord of heat resistant material must be used. When regreasing the bearing centre should also be regreased where possible.

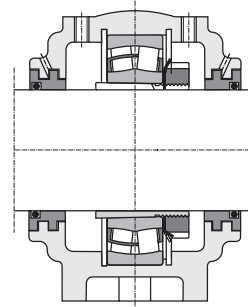
If the double labyrinth seal is used, it is possible to fill the labyrinth with grease by using a grease nipple, thus a additional sealing is achieved.

For extremely difficult and raw operating conditions we offer diverse special seals. Please contact our technical department in such cases.

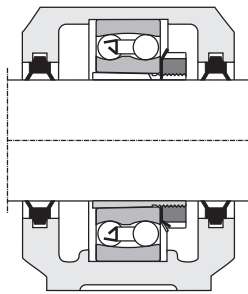
Types of Seal



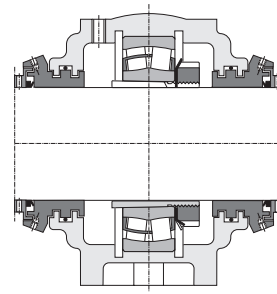
Felt strip or graphited cord seal



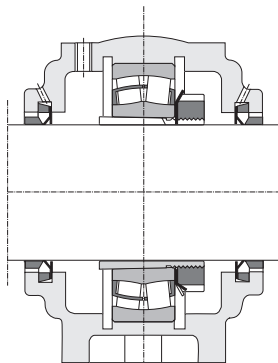
Double Labyrinth seal



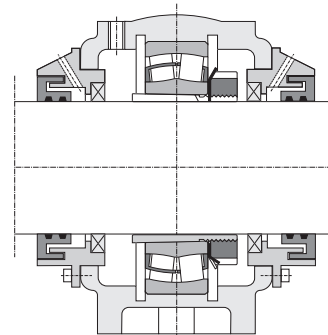
Double lip seal



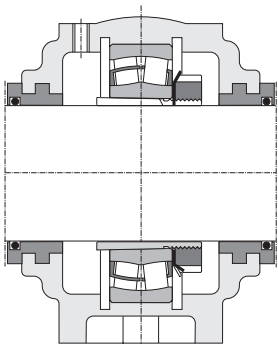
Taconite seal
(Standard execution)



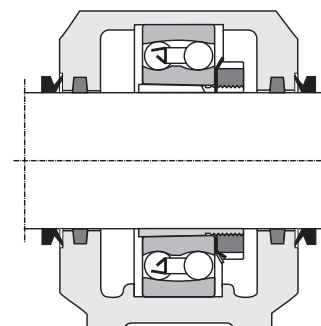
V- ring seal



Taconite seal
(Special execution)

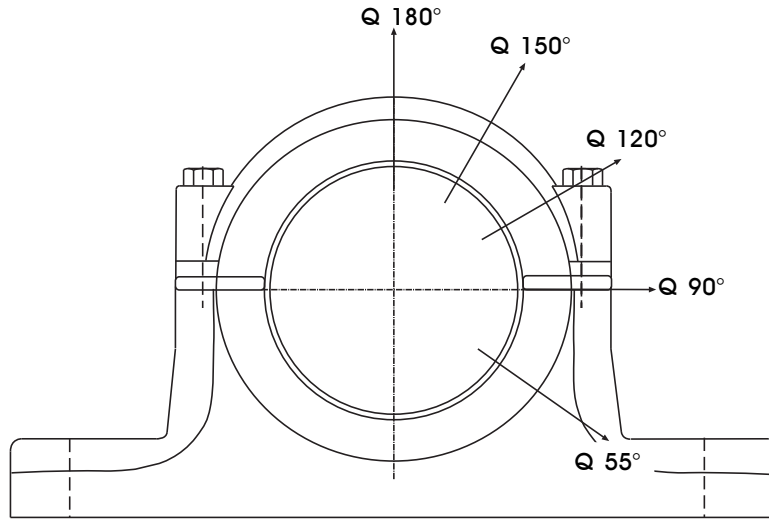


Labyrinth seal



Felt strip with Labyrinth seal

Breaking loads for SN Plummer Block Housings



Housing Ref No	Breaking Load kN				
	Q 180°	Q 150°	Q 120°	Q 90°	Q 55°
SN 505 - 205	35	30	30	40	70
SN 506 - 206 - 605 - 305	40	30	35	50	80
SN 507 - 207 - 606 - 306	45	35	40	55	90
SN 508 - 208 - 607 - 307	50	40	45	60	100
SN 509 - 209	55	45	50	65	110
SN 510 - 210 - 608 - 308	60	50	55	70	120
SN 511 - 211 - 609 - 309	70	55	65	85	140
SN 512 - 212 - 610 - 310	75	60	65	90	150
SN 513 - 213 - 611 - 311	85	70	75	100	170
SN 214	85	70	75	100	170
SN 515 - 215 - 612 - 312	95	75	85	110	190
SN 516 - 216 - 613 - 313	110	90	100	130	220
SN 517 - 217 - 314	120	95	110	140	240
SN 518 - 218 - 615 - 315	130	100	120	160	260
SN 519 - 219 - 616 - 316	140	110	130	170	280
SN 520 - 220 - 617 - 317	170	140	150	200	340
SN 522 - 222 - 619 - 319	220	180	200	260	440
SN 524 - 224 - 620 - 320	260	210	230	310	520
SN 526 - 226 - 622 - 322	310	250	280	370	620
SN 528 - 228	360	290	320	430	720
SN 530 - 230 - 624 - 324	430	340	390	520	860
SN 532 - 232 - 626 - 326	550	440	490	660	1100

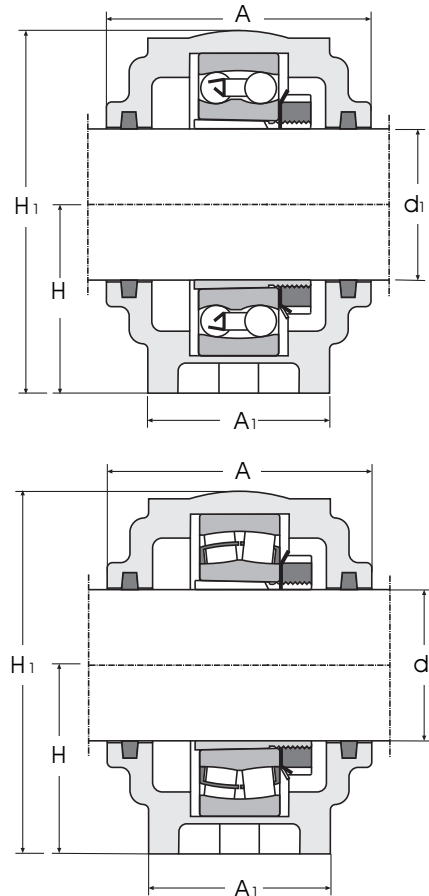
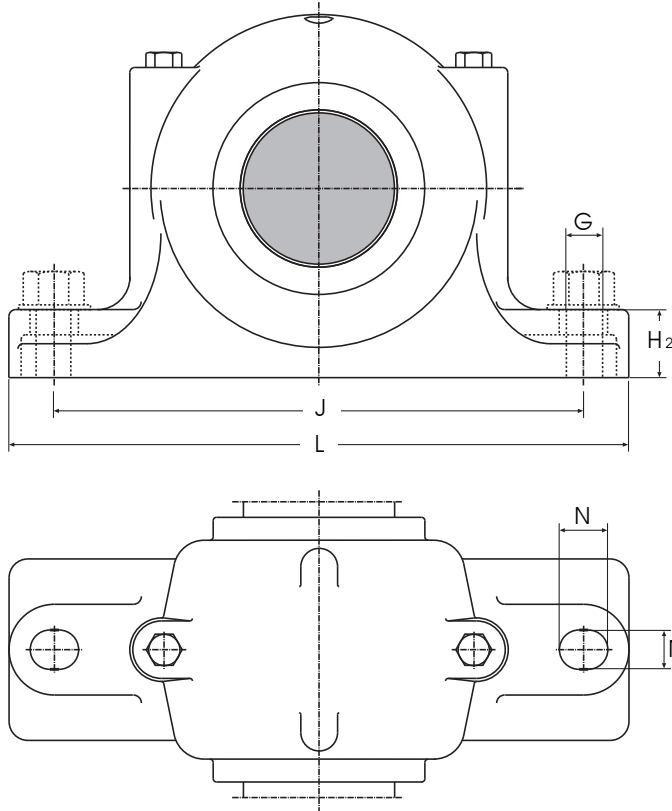
Permissible loading for SN Plummer Block Housing connecting bolts

Housing Ref No	Clamping Bolts		Max Permissible Load (kN)		
	DIN 931 8.8	Torque Nm	For the two connecting bolts		
			Q 180°	Q 150°	Q 120°
SN 505-205	M8 x 40	25	18	22	35
SN 506-206-605-305	M8 x 45	25	18	22	35
SN 507-207-606-306	M8 x 45	25	18	22	35
SN 508-208-607-307	M10 x 50	50	25	30	50
SN 509-209	M10 x 50	50	25	30	50
SN 510-210-608-308	M10 x 50	50	25	30	50
SN 511-211-609-309	M10 x 55	50	25	30	50
SN 512-212-610-310	M10 x 60	50	25	30	50
SN 513-213-611-311	M10 x 60	50	25	30	50
SN 214	M10 x 60	50	25	30	50
SN 515-215-612-312	M12 x 65	80	40	45	80
SN 516-216-613-313	M12 x 70	80	40	45	80
SN 517-217-314	M12 x 80	80	40	45	80
SN 518-218-615-315	M14 x 80	100	60	65	110
SN 519-219-616-316	M14 x 90	100	60	65	110
SN 520-22--617-317	M14 x 90	100	60	65	110
SN 522-222-619-319	M16 x 100	150	85	100	170
SN 524-224-620-320	M16 x 110	150	85	100	170
SN 526-226-622-322	M20 x 120	200	130	150	260
SN 528-228	M20 x 120	200	130	150	260
SN 530-230-624-324	M20 x 130	200	130	150	260
SN 532-232-626-326	M20 x 130	200	130	150	260

Plummer Blocks (split) 736 + 737

Series SN 5 and SN 6

For self-aligning ball bearings or spherical roller bearings
with adapter sleeve

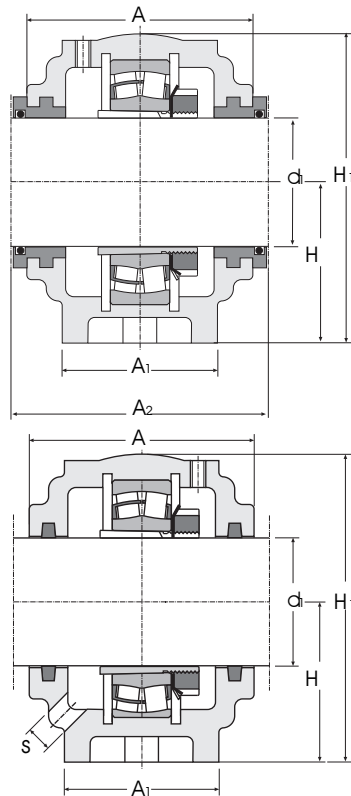


Housing Ref No	Weight kg	d ₁	H	H ₁	A	A ₄	A ₂	L mm	A ₁	H ₂	J	N ₁	N	G	s
SN 505	1,1	20	40	75	67	-	80	165	46	19	130	15	20	M 12	10
SN 605	1,6	20	50	90	80	-	93	185	52	22	150	15	20	M 12	10
SN 506	1,6	25	50	90	77	-	90	185	52	22	150	15	20	M 12	10
SN 606	1,8	25	50	95	82	-	95	185	52	22	150	15	20	M 12	10
SN 507	1,9	30	50	95	82	-	96	185	52	22	150	15	20	M 12	10
SN 607	2,6	30	60	110	90	-	104	205	60	25	170	15	20	M 12	10
SN 508	2,6	35	60	110	85	100	99	205	60	25	170	15	20	M 12	10
SN 608	2,9	35	60	115	95	-	109	205	60	25	170	15	20	M 12	10

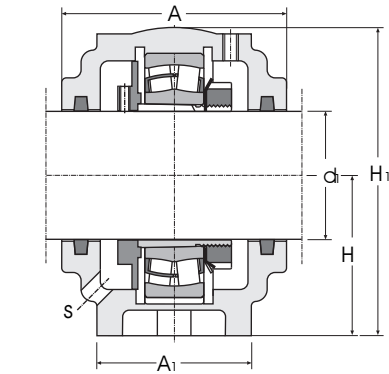
Plummer Blocks (split) DIN 736 + 737

Series SN 5 and SN 6

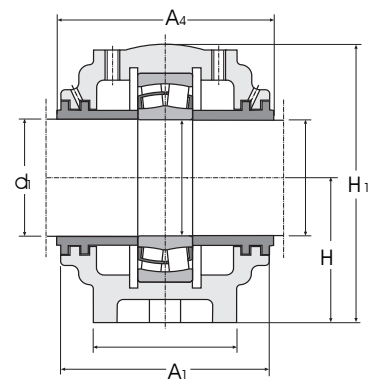
For self-aligning ball bearings or spherical roller bearings with adapter sleeve



SN...TS



SN...R



SN...DSS

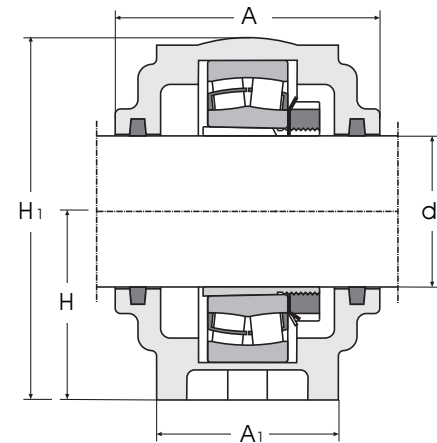
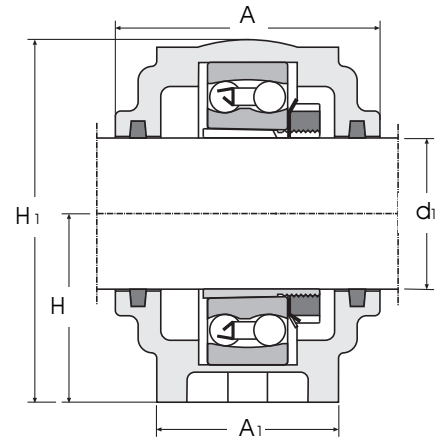
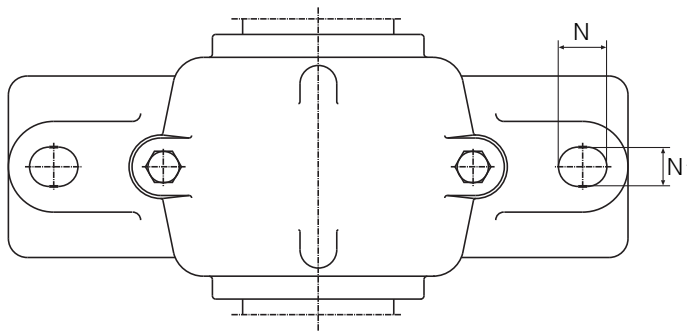
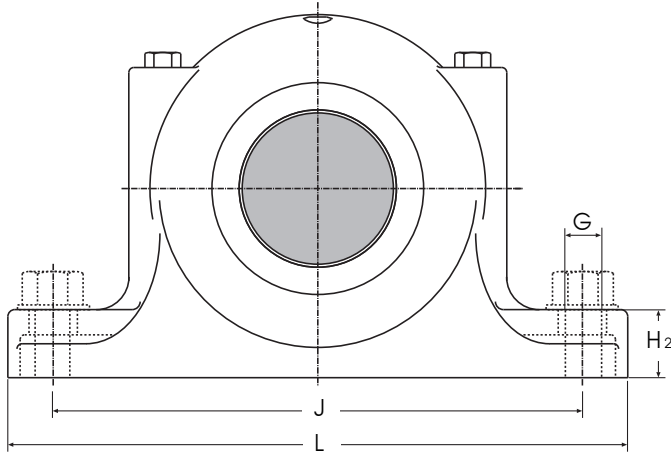
d ₁	Matching bearing with adapter sleeve		Fixing ring Qty and Ref No	Order ref				
				Housing with felt seal	Housing with labyrinth seal	Housing with lubricating and grease outlet holes	Housing with grease quantity regulator	Housing with double labyrinth seal
20	1205 K	H 205	2 x FR 5/52	SN 505	SN 505 TS	SN 505 VS	SN 505 R	
	2205 K	H 305	1 x FR 7/52					
	22205 K	H 305	1 x FR 7/52					
25	1305 K	H 305	2 x FR 8,5/62	SN 605	SN 605 TS	SN 605 VS	SN 605 R	
	2305 K	H 2305	1 x FR 10/62					
	22206 K	H 306	1 x FR 10/62					
30	1206 K	H 206	2 x FR 7/62	SN 506	SN 506 TS	SN 506 VS	SN 506 R	
	2206 K	H 306	1 x FR 10/62					
	22206 K	H 306	1 x FR 10/62					
35	1306 K	H 306	2 x FR 9/72	SN 606	SN 606 TS	SN 606 VS	SN 606 R	
	2306 K	H 2306	1 x FR 10/72					
	22207 K	H 307	1 x FR 10/72					
40	1207 K	H 207	2 x FR 8/72	SN 507	SN 507 TS	SN 507 VS	SN 507 R	
	2207 K	H 307	1 x FR 10/72					
	22207 K	H 307	1 x FR 10/72					
45	1307 K	H 307	2 x FR 10/80	SN 607	SN 607 TS	SN 607 VS	SN 607 R	
	2307 K	H 2307	1 x FR 10/80					
	22208 K	H 308	1 x FR 10/80					
50	1208 K	H 208	2 x FR 7,5/80	SN 508	SN 508 TS	SN 508 VS	SN 508 R	
	2208 K	H 308	1 x FR 10/80					
	22208 K	H 308	1 x FR 10/80					
55	1308 K	H 308	2 x FR 10/90	SN 608	SN 608 TS	SN 608 VS	SN 608 R	
	2308 K	H 2308	1 x FR 10/90					
	21308 K	H 308	2 x FR 10/90					
60	22308 K	H 2308	1 x FR 10/90					

* for other seals see on page 7

Plummer Blocks (split) 736 + 737

Series SN 5 and SN 6

For self-aligning ball bearings or spherical roller bearings
with adapter sleeve

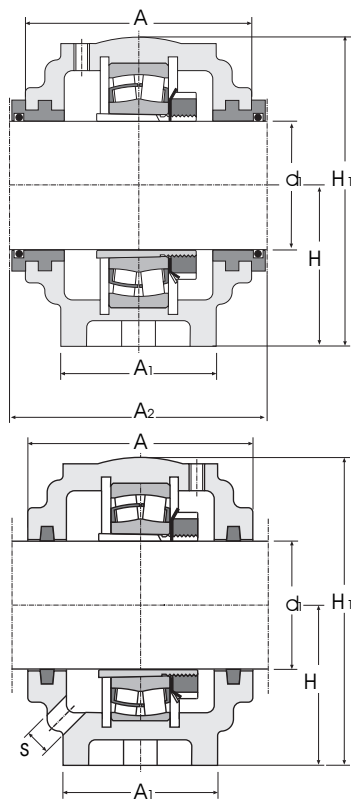


Housing Ref No	Weight kg	d ₁	H	H ₁	A	A ₄	A ₂	L mm	A ₁	H ₂	J	N ₁	N	G	s
SN 509	2,8	40	60	110	85	100	99	205	60	25	170	15	20	M 12	10
SN 609	4,1	40	70	130	105	-	119	255	70	28	210	18	23	M 16	11,5
SN 510	3,0	45	60	115	90	105	104	205	60	25	170	15	20	M 12	10
SN 610	4,7	45	70	135	115	-	129	255	70	30	210	18	23	M 16	11,5
SN 511	4,0	50	70	130	95	116	112	255	70	28	210	18	23	M 16	11,5
SN 611	5,8	50	80	150	120	-	137	275	80	30	230	18	23	M 16	11,5

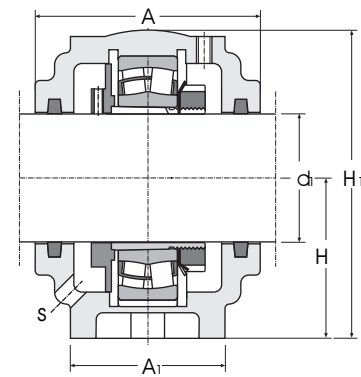
Plummer Blocks (split) DIN 736 + 737

Series SN 5 and SN 6

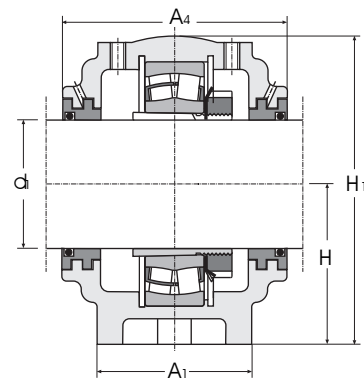
For self-aligning ball bearings or spherical roller bearings with adapter sleeve



SN...TS



SN...R



SN...DSS

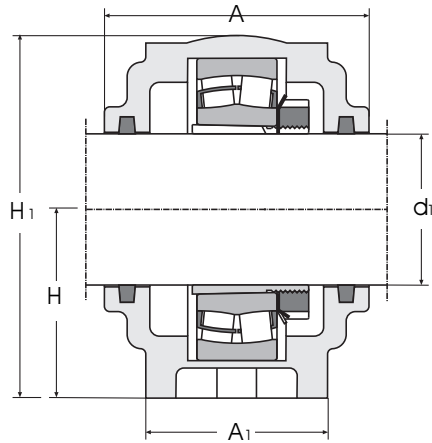
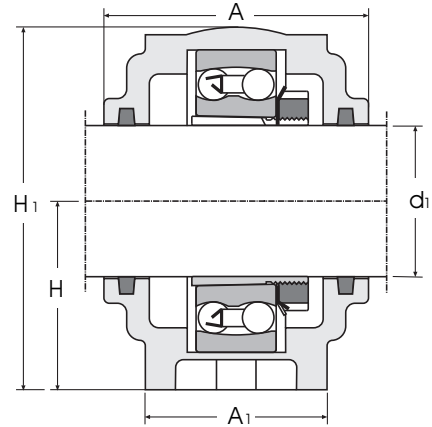
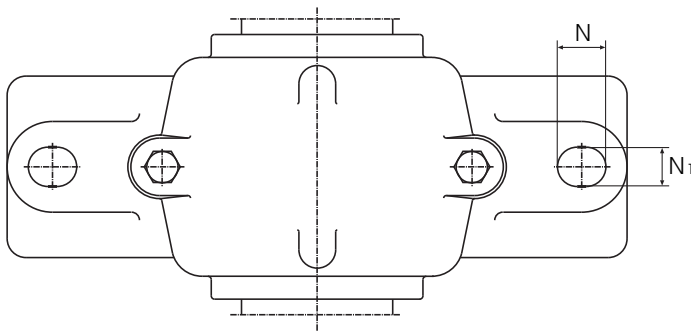
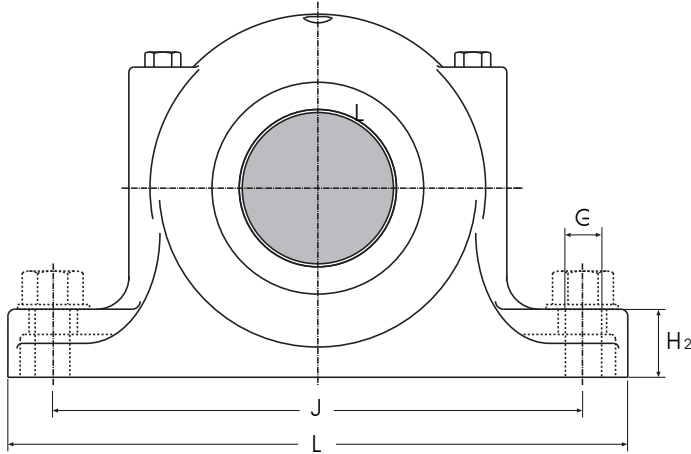
d ₁	Matching bearing with adapter sleeve		Fixing ring Qty and Ref No	Order ref				
				Housing with felt seal	Housing with labyrinth seal	Housing with lubricating and grease outlet holes	Housing with grease quantity regulator	Housing with double labyrinth seal
40	1209 K	H 209	2 x FR 6/85	SN 509	SN 509 TS	SN 509 VS	SN 509 R	SN 509 DSS
	2209 K	H 309	1 x FR 8/85					
	22209 K	H 309	1 x FR 8/85					
	1309 K	H 309	2 x FR 10,5/100	SN 609	SN 609 TS	SN 609 VS	SN 609 R	
	2309 K	H 2309	1 x FR 10/100					
	21309 K	H 309	2 x FR 10,5/100					
	22309 K	H 2309	1 x FR 10/100					
45	1210 K	H 210	2 x FR 6,5/90	SN 510	SN 510 TS	SN 510 VS	SN 510 R	SN 510 DSS
	2210 K	H 310	1 x FR 10/90					
	22210 K	H 310	1 x FR 10/90					
	1310 K	H 310	2 x FR 11,5/110	SN 610	SN 610 TS	SN 610 VS	SN 610 R	
	2310 K	H 2310	1 x FR 10/110					
	21310 K	H 310	2 x FR 11,5/110					
	22310 K	H 2310	1 x FR 10/110					
50	1211 K	H 211	2 x FR 6/100	SN 511	SN 511 TS	SN 511 VS	SN 511 R	SN 511 DSS
	2211 K	H 311	1 x FR 8/100					
	22211 K	H 311	1 x FR 8/100					
	1311 K	H 311	2 x FR 12/120	SN 611	SN 611 TS	SN 611 VS	SN 611 R	
	2311 K	H 2311	1 x FR 10/120					
	21311 K	H 311	2 x FR 12/120					
	22311 K	H 2311	1 x FR 10/120					

* for other seals see on page 7

Plummer Blocks (split) 736 + 737

Series SN 5 and SN 6

For self-aligning ball bearings or spherical roller bearings
with adapter sleeve

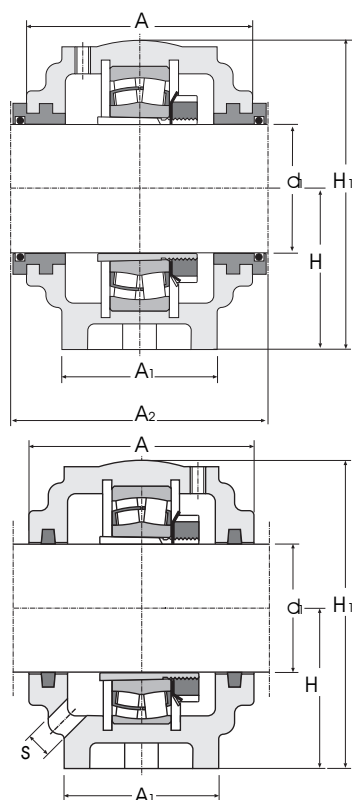


Housing Ref No	Weight kg	d ₁	H	H ₁	A	A ₄	A ₂	L mm	A ₁	H ₂	J	N ₁	N	G	s
SN 512	4,6	55	70	135	105	124	122	255	70	30	210	18	23	M 16	11,5
SN 612	6,5	55	80	155	125	-	142	280	80	30	230	18	23	M 16	11,5
SN 513	5,9	60	80	150	110	129	127	275	80	32	230	18	25	M 16	11,5
SN 613	8,7	60	95	175	130	-	147	315	90	32	260	22	27	M 20	15
SN 515	6,7	65	80	155	115	135	132	280	80	30	230	18	23	M 16	11,5
SN 615	11,3	65	100	195	140	-	157	345	100	35	290	22	27	M 20	15

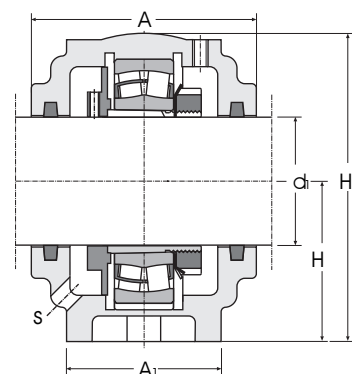
Plummer Blocks (split) DIN 736 + 737

Series SN 5 and SN 6

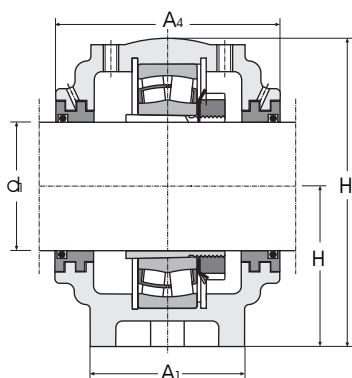
For self-aligning ball bearings or spherical roller bearings
with adapter sleeve



SN...TS



SN...R



SN...DSS

d ₁	Matching bearing with adapter sleeve	Fixing ring Qty and Ref No	Order ref Housing with felt seal	Housing with labyrinth seal	Housing with lubricating and grease outlet holes	Housing with grease quantity regulator	Housing with double labyrinth seal
55	1212 K H 212	2 x FR 8/110	SN 512	SN 512 TS	SN 512 VS	SN 512 R	SN 512 DSS
	2212 K H 312	1 x FR 10/110					
	22212 K H 312	1 x FR 10/110					
	1312 K H 312	2 x FR 12,5/130	SN 612	SN 612 TS	SN 612 VS	SN 612 R	
	2312 K H 2312	1 x FR 10/130					
	21312 K H 312	2 x FR 12,5/130					
	22312 K H 2312	1 x FR 10/130					
60	1213 K H 213	2 x FR 10/120	SN 513	SN 513 TS	SN 513 VS	SN 513 R	SN 513 DSS
	2213 K H 313	1 x FR 12/120					
	22213 K H 313	1 x FR 12/120					
	1313 K H 313	2 x FR 12,5/140	SN 613	SN 613 TS	SN 613 VS	SN 613 R	
	2313 K H 2313	1 x FR 10/140					
	21313 K H 313	2 x FR 12,5/140					
	22313 K H 2313	1 x FR 10/140					
65	1215 K H 215	2 x FR 8/130	SN 515	SN 515 TS	SN 515 VS	SN 515 R	SN 515 DSS
	2215 K H 315	1 x FR 10/130					
	22215 K H 315	1 x FR 10/130					
	1315 K H 315	2 x FR 14/160	SN 615	SN 615 TS	SN 615 VS	SN 615 R	
	2315 K H 2315	1 x FR 10/160					
	21315 K H 315	2 x FR 14/160					
	22315 K H 2315	1 x FR 10/160					

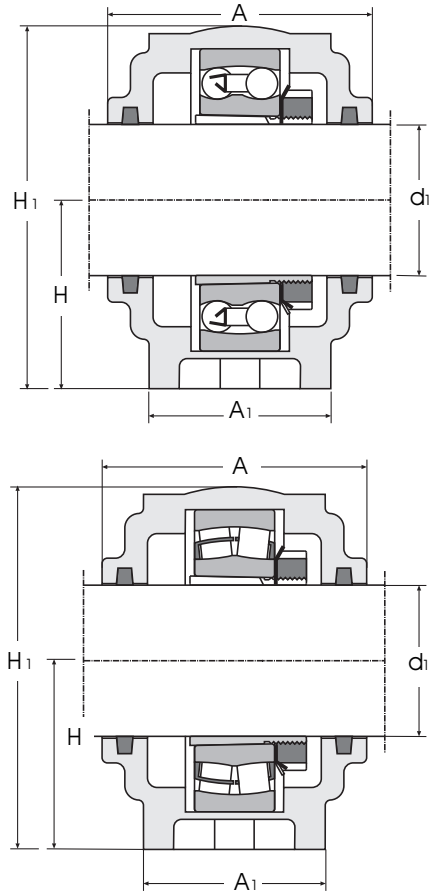
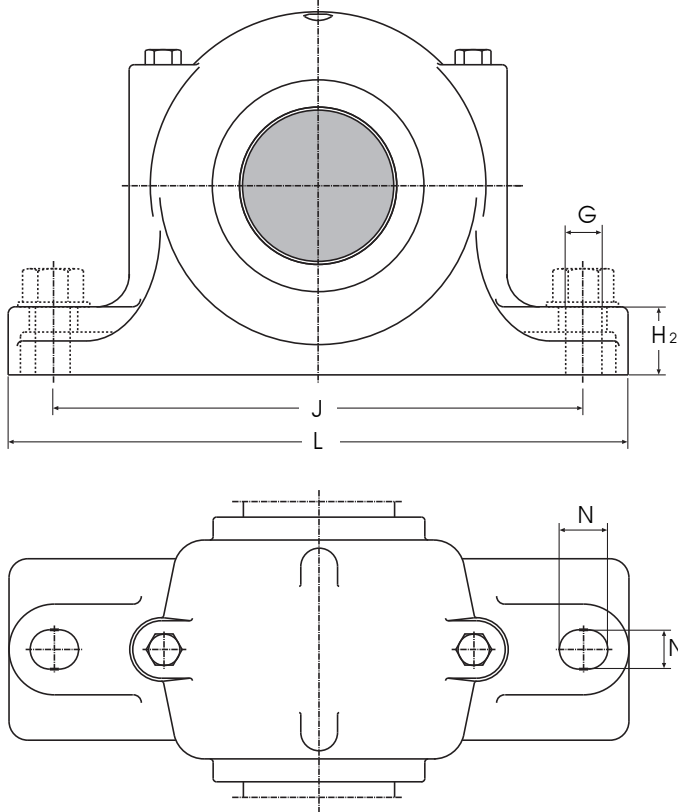
* for other seals see on page 17

Plummer Blocks (split) 736 + 737



Series SN 5 and SN 6

For self-aligning ball bearings or spherical roller bearings with adapter sleeve

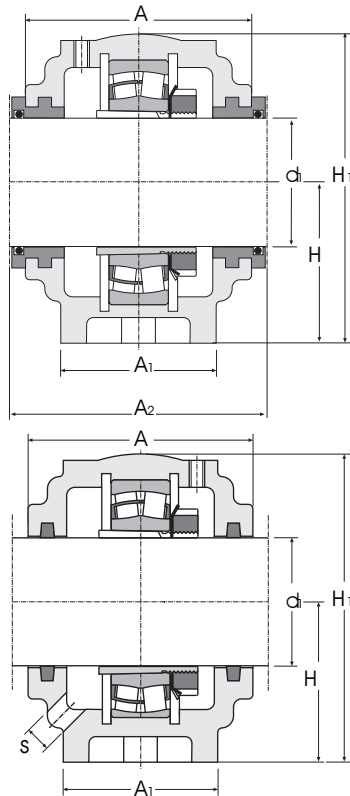


Housing Ref No	Weight kg	d ₁	H	H ₁	A	A ₄	A ₂	L mm	A ₁	H ₂	J	N ₁	N	G	s
SN 516	8,5	70	95	175	120	138	137	315	90	32	260	22	27	M 20	15
SN 616	12,3	70	112	210	145	-	162	345	100	35	290	22	27	M 20	15
SN 517	9,3	75	95	185	125	143	142	320	90	32	260	22	27	M 20	15
SN 617	15,0	75	112	215	155	-	172	380	110	40	320	26	32	M 24	15
SN 518	11,8	80	100	195	145	161	162	345	100	35	290	22	27	M 20	15
SN 618	19,0	80	112	220	160	-	177	380	110	40	320	26	32	M 24	15

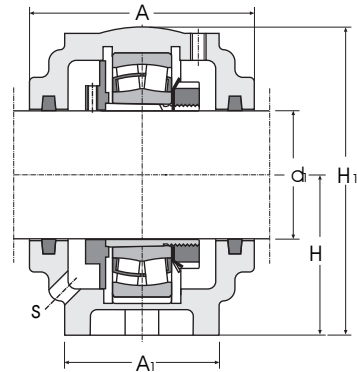
Plummer Blocks (split) DIN 736 + 737

Series SN 5 and SN 6

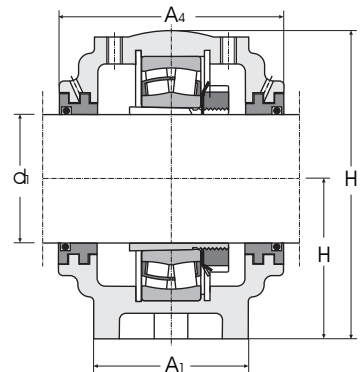
For self-aligning ball bearings or spherical roller bearings
with adapter sleeve



SN...TS



SN...R



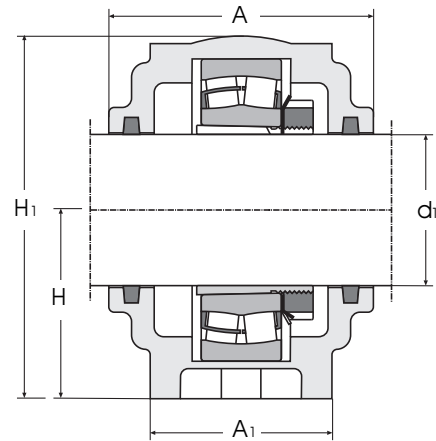
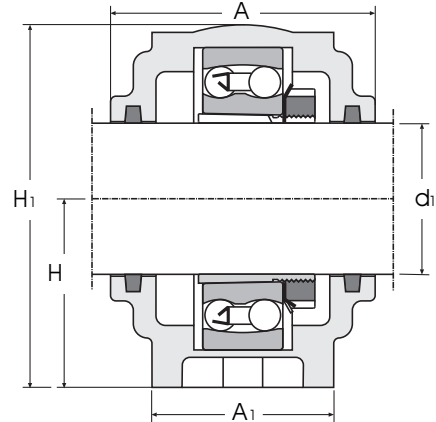
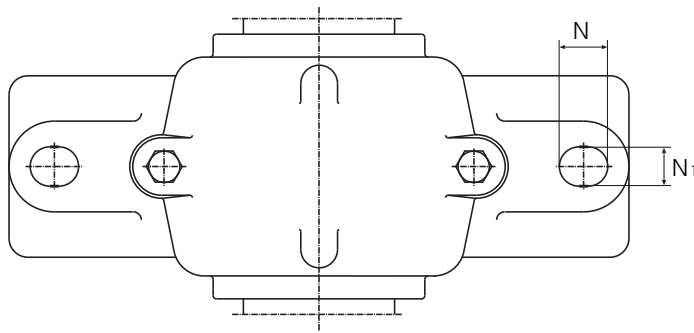
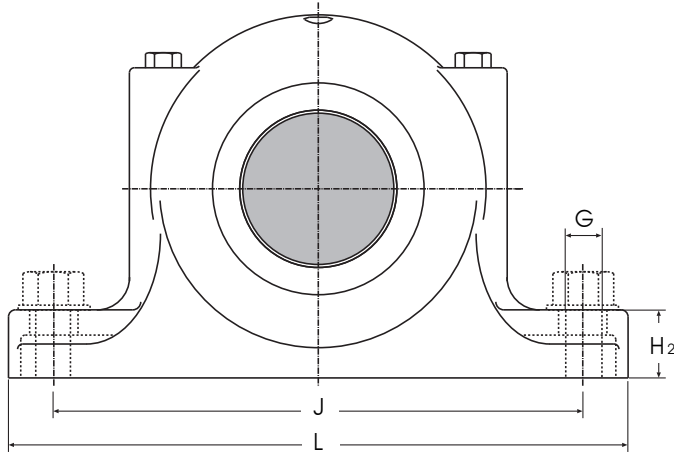
SN...DSS

d ₁	Matching bearing with adapter sleeve		Fixing ring Qty and Ref No	Order ref				
				Housing with felt seal	Housing with labyrinth seal	Housing with lubricating grease outlet holes	Housing with grease quantity regulator	Housing with double labyrinth seal
70	1216 K	H 216	2 x FR 8,5/140	SN 516	SN 516 TS	SV 516 VS	SN 516 R	SN 516 DSS
	2216 K	H 316	1 x FR 10/140					
	22216 K	H 316	1 x FR 10/140					
	1316 K	H 316	2 x FR 14,5/170	SN 616	SN 616 TS	SN 616 VS	SN 616 R	
	2316 K	H 2316	1 x FR 10/170					
	21316 K	H 316	2 x FR 14,5/170					
75	1217 K	H 217	2 x FR 9/150	SN 517	SN 517 TS	SN 517 VS	SN 517 R	SN 517 DSS
	2217 K	H 317	1 x FR 10/150					
	22217 K	H 317	1 x FR 10/150					
	1317 K	H 317	2 x FR 14,5/180	SN 617	SN 617 TS	SN 617 VS	SN 617 R	
	2317 K	H 2317	1 x FR 10/180					
	21317 K	H 317	2 x FR 14,5/180					
80	1218 K	H 218	2 x FR 16,2/160	SN 518	SN 518 TS	SN 518 VS	SN 518 R	SN 518 DSS
	2218 K	H 318	2 x FR 11,2/160					
	22218 K	H 318	2 x FR 11,2/160					
	23218 K	H 2318	1 x FR 10/160					
	1318 K	H 318	2 x FR 15,5/190	SN 618	SN 618 TS	SN 618 VS	SN 618 R	
	2318 K	H 2318	1 x FR 10/190					
	21318 K	H 318	2 x FR 15,5/190					
	22318 K	H 2318	1 x FR 10/190					

Plummer Blocks (split) 736 + 737

Series SN 5 and SN 6

For self-aligning ball bearings or spherical roller bearings
with adapter sleeve

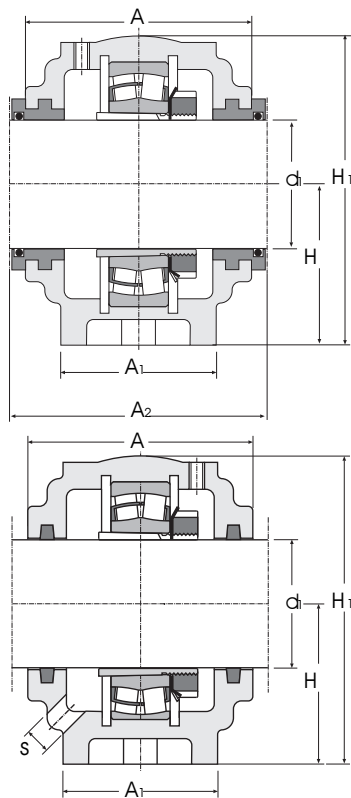


Housing Ref No	Weight kg	d ₁	H	H ₁	A	A ₄	A ₂	L mm	A ₁	H ₂	J	N ₁	N	G	s
SN 519	13,6	85	112	210	140	-	157	345	100	35	290	22	27	M 20	15
SN 619	22,0	85	125	240	170	-	187	410	120	45	350	26	32	M 24	18
SN 520	15,5	90	112	215	160	174	178	380	110	40	320	26	32	M 24	15
SN 620	25,0	90	140	270	175	-	193	410	120	45	350	26	32	M 24	18
SN 522	19,8	100	125	240	175	193	193	410	120	45	350	26	32	M 24	18
SN 622	32,0	100	150	295	190	-	208	450	130	50	390	26	35	M 24	18

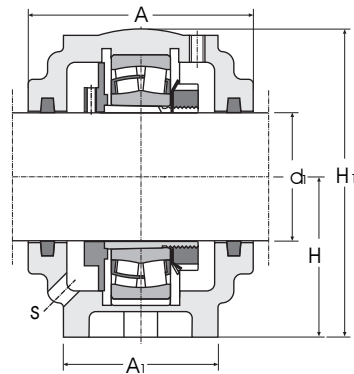
Plummer Blocks (split) DIN 736 + 737

Series SN 5 and SN 6

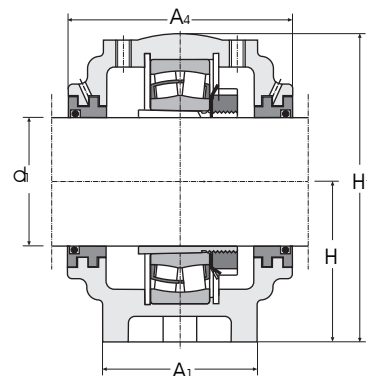
For self-aligning ball bearings or spherical roller bearings
with adapter sleeve



SN...TS



SN...R



SN...DSS

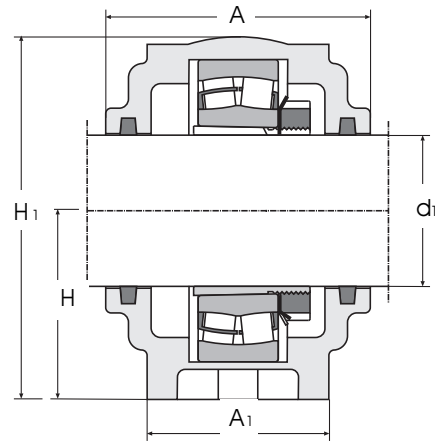
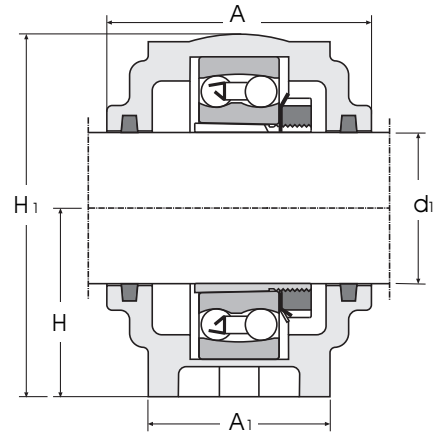
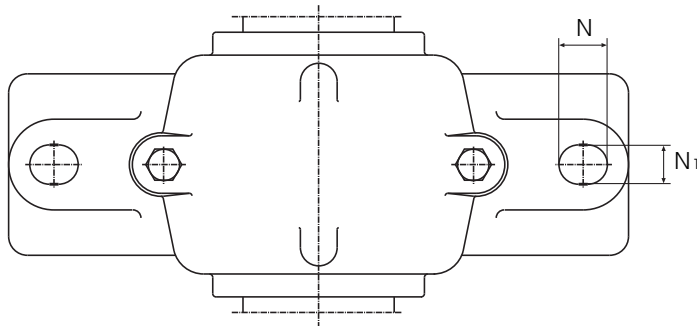
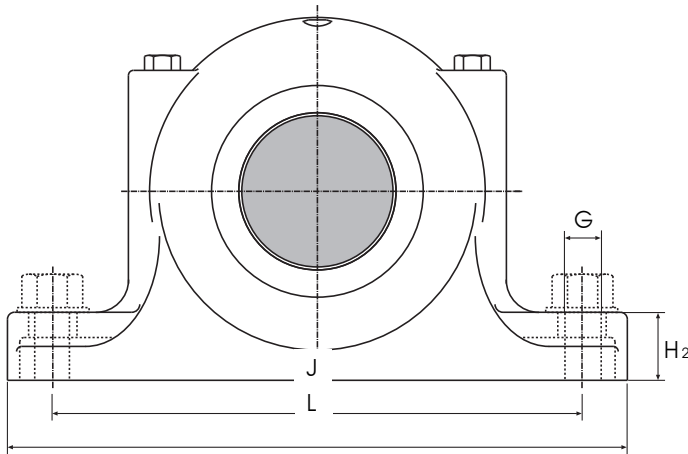
d ₁	Matching bearing with adapter sleeve		Fixing ring Qty and Ref No	Order ref				
				Housing with felt seal	Housing with labyrinth seal	Housing with lubricating and grease outlet holes	Housing with grease quantity regulator	Housing with double labyrinth seal
85	1219 K	H 219	2 x FR 10,5/170	SN 519	SN 519 TS	SN 519 VS	SN 519 R	SN 519 DSS
	2219 K	H 319	1 x FR 10/170					
	22219 K	H 319	1 x FR 10/170					
	1319 K	H 319	2 x FR 16/200	SN 619	SN 619 TS	SN 619 VS	SN 619 R	
	2319 K	H 2319	1 x FR 10/200					
	21319 K	H 319	2 x FR 16/200					
90	22319 K	H 2319	1 x FR 10/200					
	1220 K	H 220	2 x FR 18,1/180	SN 520	SN 520 TS	SN 520 VS	SN 520 R	SN 520 DSS
	2220 K	H 320	2 x FR 12,1/180					
	22220 K	H 320	2 x FR 12,1/180					
	23220 K	H 2320	1 x FR 10/180					
	1320 K	H 320	2 x FR 18/215	SN 620	SN 620 TS	SN 620 VS	SN 620 R	
100	2320 K	H 2320	1 x FR 10/215					
	21320 K	H 320	2 x FR 18/215					
	22320 K	H 2320	1 x FR 10/215					
	1222 K	H 222	2 x FR 21/200	SN 522	SN 522 TS	SN 522 VS	SN 522 R	SN 522 DSS
	2222 K	H 322	2 x FR 13,5/200					
	22222 K	H 322	2 x FR 13,5/200					
	23222 K	H 2322	1 x FR 10/200					
	20322 K	H 322	2 x FR 20/240	SN 622	SN 622 TS	SN 622VS	SN 622 R	
	21322 K	H 322	2 x FR 20/240					
	22322K	H 2322	1 x FR 10/240					

* for other seals see on page 7

Plummer Blocks (split) 736 + 737

Series SN 5 and SN 6

For self-aligning ball bearings or spherical roller bearings
with adapter sleeve

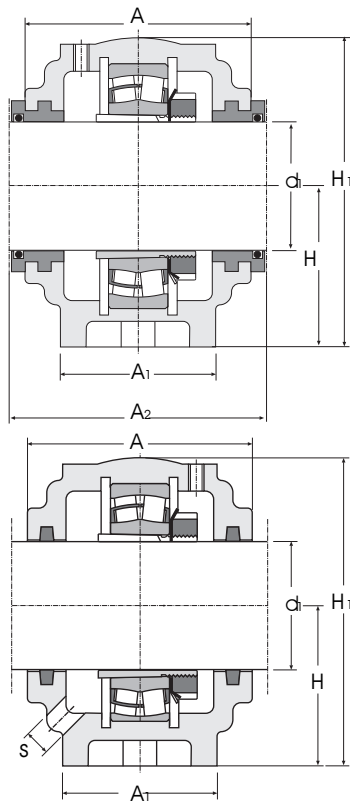


Housing Ref No	Weight kg	d ₁	H	H ₁	A	A ₄	A ₂	L mm	A ₁	H ₂	J	N ₁	N	G	s
SN 524	22,4	110	140	270	185	203	203	410	120	45	350	26	32	M 24	18
SN 624	48,0	110	160	320	200	-	218	530	160	60	450	35	42	M 30	18
SN 526	28,3	115	150	290	190	218	208	445	130	50	380	28	35	M 24	18
SN 626	56,0	115	170	340	210	-	228	550	160	60	470	35	42	M 30	18
SN 528	36,0	125	150	305	205	230	223	500	150	50	420	35	42	M 30	18
SN 628	72,0	125	180	365	235	-	253	620	170	65	520	35	42	M 30	18
SN 530	43,1	135	160	325	220	245	238	530	160	60	450	35	42	M 30	18
SN 630	98,0	135	190	385	245	-	263	650	180	65	560	35	42	M 30	18
SN 532	49,6	140	170	345	235	258	253	550	160	60	470	35	42	M 30	18
SN 632	115,0	140	200	405	255	-	273	680	190	70	580	42	50	M 36	18

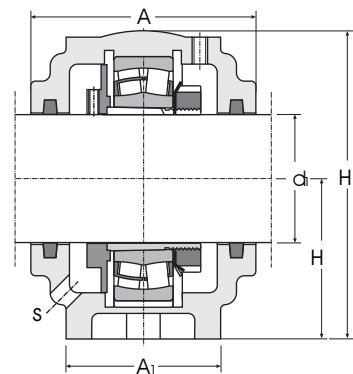
Plummer Blocks (split) DIN 736 + 737

Series SN 5 and SN 6

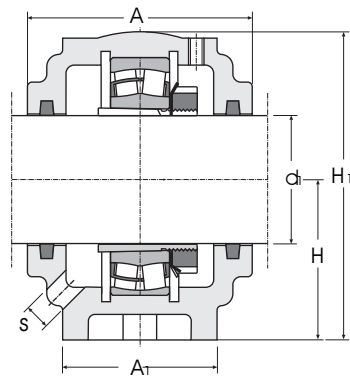
For self-aligning ball bearings or spherical roller bearings
with adapter sleeve



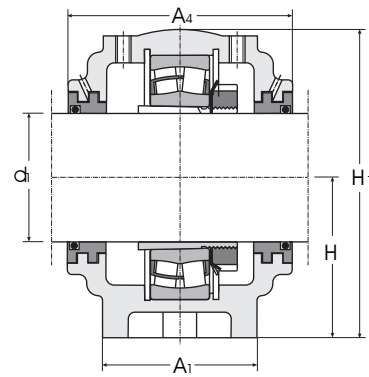
SN...TS



SN...R



SN...VS



SN...DSS

d ₁	Matching bearing with adapter sleeve	Fixing ring Qty and Ref No	Order ref Housing with felt seal	Housing with labyrinth seal	Housing with lubricating grease outlet holes	Housing with grease quantity regulator	Housing with double labyrinth seal
110	22224 K	H 3124	2 x FR 14/215	SN 524	SN 524 TS	SN 524 VS	SN 524 R
	23224 K	H 2324	1 x FR 10/215				SN 524 DSS
	20324 K	H 3124	2 x FR 20,5/260	SN 624	SN 624 TS	SN 624 VS	SN 624 R
	22324 K	H 2324	1 x FR 10/260				
115	22226 K	H 3126	2 x FR 13/230	SN 526	SN 526 TS	SN 526 VS	SN 526 R
	23226 K	H 2326	1 x FR 10/230				SN 526 DSS
	20326 K	H 3126	2 x FR 22,5/280	SN 626	SN 626 TS	SN 626 VS	SN 626 R
	22326 K	H 2326	1 x FR 10/280				
125	22228 K	H 3128	2 x FR 15/250	SN 528	SN 528 TS	SN 528 VS	SN 528 R
	23228 K	H 2328	1 x FR 10/250				SN 528 DSS
	20328 K	H 3128	2 x FR 25/300	SN 628	SN 628 TS	SN 628 VS	SN 628 R
	22328 K	H 2328	1 x FR 10/300				
135	22230 K	H 3130	2 x FR 16,5/270	SN 530	SN 530 TS	SN 530 VS	SN 530 R
	23230 K	H 2330	1 x FR 10/270				SN 530 DSS
	20330 K	H 3130	2 x FR 26,5/320	SN 630	SN 630 TS	SN 630 VS	SN 630 R
	22330 K	H 2330	1 x FR 10/320				
140	22232 K	H 3132	2 x FR 17/290	SN 532	SN 532 TS	SN 532 VS	SN 532 R
	23232 K	H 2332	1 x FR 10/290				SN 532 DSS
	20322 K	H 3132	2 x FR 28/340	SN 632	SN 632 TS	SN 632 VS	SN 632 R
	20332 K	H 2332	1 x FR 10/340				

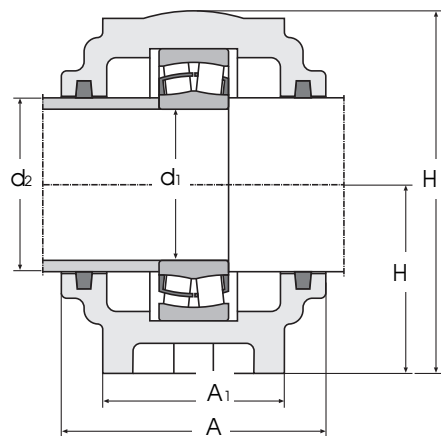
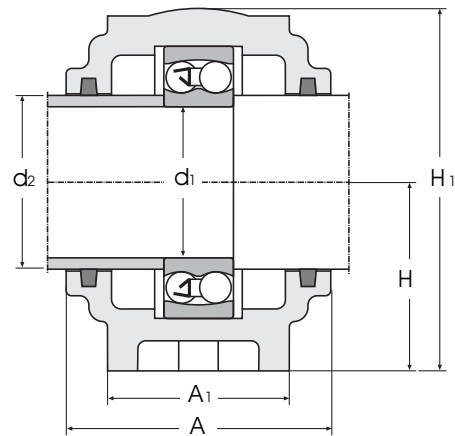
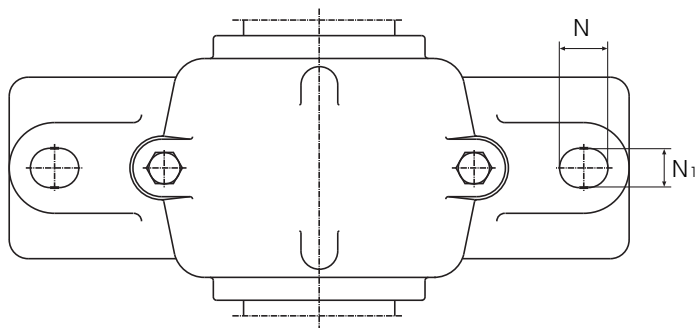
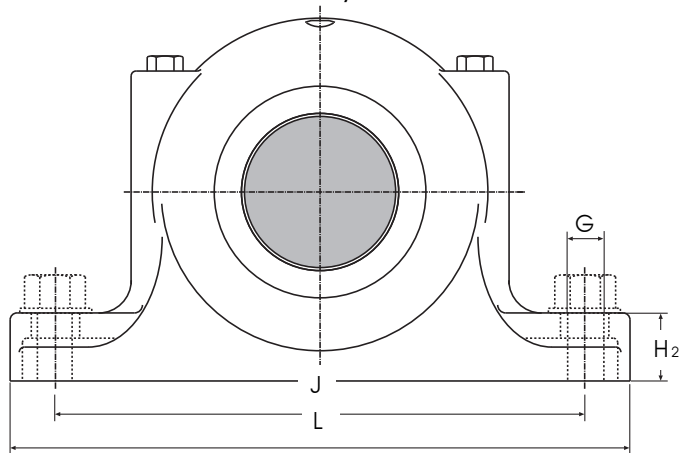
* for other seals see on page 7

Plummer Blocks (split) DIN 738 + 739



Series SN 2 and SN 3

For self-aligning ball bearings or spherical roller bearings
with cylindrical bore

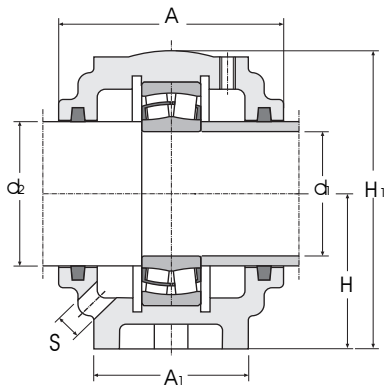


Housing Ref No	Weight kg	d ₁	d ₂	H	H ₁	A	A ₂	L	A ₁ mm	H ₂	J	N ₁	N	G	s	A ₃
SN 205	1,1	25	30	40	75	67	-	165	46	19	130	15	20	M 12	10	-
SN 305	1,6	25	30	50	90	80	-	185	52	22	150	15	20	M 12	10	-
SN 206	1,6	30	35	50	90	77	-	185	52	22	150	15	20	M 12	10	-
SN 306	1,8	30	35	50	95	82	-	185	52	22	150	15	20	M 12	10	-
SN 207	1,9	35	45	50	95	82	-	185	52	22	150	15	20	M 12	10	-
SN 307	2,6	35	45	60	110	90	-	205	60	25	170	15	20	M 12	10	-
SN 208	2,6	40	50	60	110	85	-	205	60	25	170	15	20	M 12	10	-
SN 308	2,9	40	50	60	115	95	-	205	60	25	170	15	20	M 12	10	-

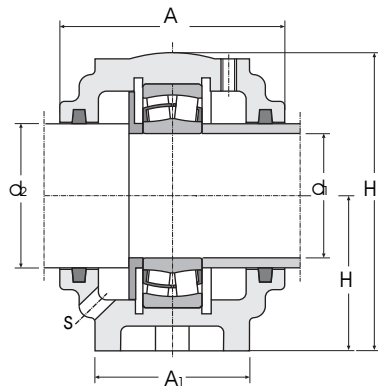
Plummer Blocks (split) DIN 738 + 739

Series SN 2 and SN 3

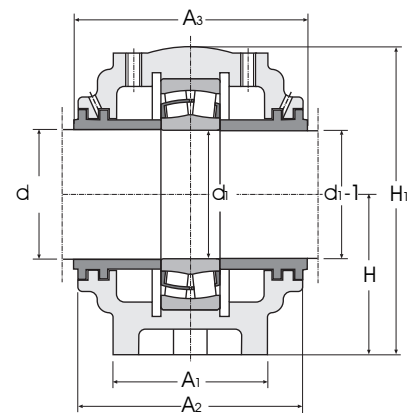
For self-aligning ball bearings or spherical roller bearings with cylindrical bore



SN...VS



SN...R



SN...DSS

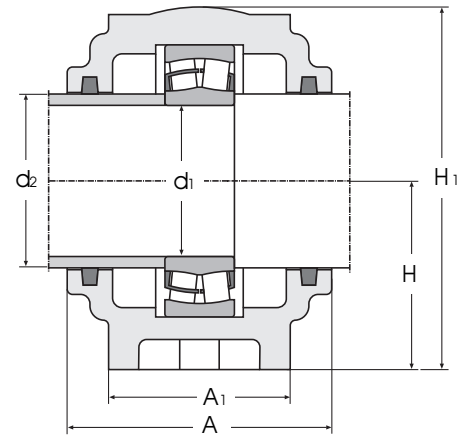
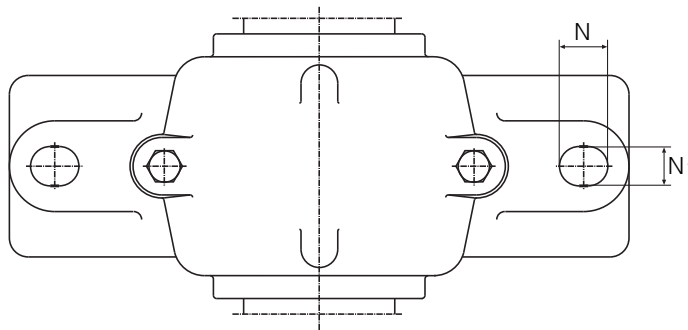
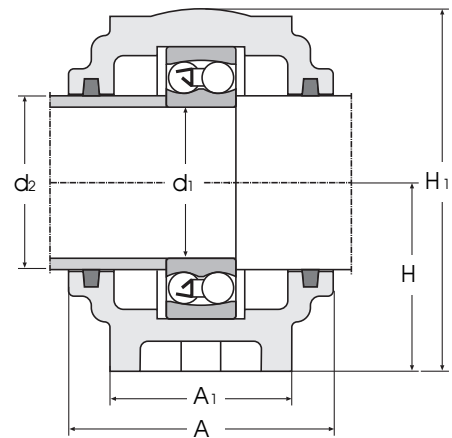
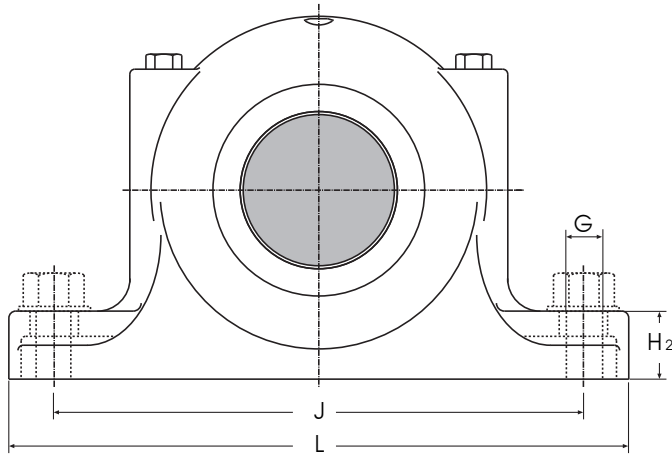
d ₁	Matching bearing	Fixing ring Qty and Ref No	Order ref			
			Housing with felt seal	Housing with lubricating and grease outlet holes	Housing with grease quantity regulator	Housing with double labyrinth seal
25	1205	2 x FR 5/52	SN 205	SN 205 VS	SN 205 R	
	2205	1 x FR 7/52				
	22205	1 x FR 7/52				
1305	2305	2 x FR 8,5/62	SN 305	SN 305 VS	SN 305 R	
	2305	1 x FR 10/62				
30	1206	2 x FR 7/62	SN 206	SN 206 VS	SN 206 R	
	2206	1 x FR 10/62				
	22206	1 x FR 10/62				
1306	2306	2 x FR 9/72	SN 306	SN 306 VS	SN 306 R	
	2306	1 x FR 10/72				
35	1207	2 x FR 8/72	SN 207	SN 207 VS	SN 207 R	
	2207	1 x FR 10/72				
	22207	1 x FR 10/72				
1307	2307	2 x FR 10/80	SN 307	SN 307 VS	SN 307 R	
	2307	1 x FR 10/80				
40	1208	2 x FR 7,5/80	SN 208	SN 208 VS	SN 208 R	
	2208	1 x FR 10/80				
	22208	1 x FR 10/80				
1308	2308	2 x FR 10/90	SN 308	SN 308 VS	SN 308 R	
	2308	1 x FR 10/90				
21308	21308	2 x FR 10/90				
	22308	1 x FR 10/90				

* for other seals see on page 7

Plummer Blocks (split) DIN 738 + 739

Series SN 2 and SN 3

For self-aligning ball bearings or spherical roller bearings
with cylindrical bore

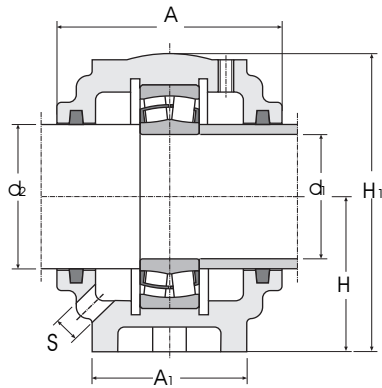


Housing Ref No	Weight kg	d ₁	d ₂	H	H ₁	A	A ₂	L	A ₁ mm	H ₂	J	N ₁	N	G	s	A ₃
SN 209	2,8	45	55	60	110	85	-	205	60	25	170	15	20	M 12	10,0	-
SN 309	4,1	45	55	70	130	105	-	255	70	28	210	18	23	M 16	11,5	-
SN 210	3,0	50	60	60	115	90	-	205	60	25	170	15	20	M 12	11,5	-
SN 310	4,7	50	60	70	135	115	-	255	70	30	210	18	23	M 16	11,5	-
SN 211	4,0	55	65	70	130	95	116	255	70	28	210	18	23	M 16	11,5	121
SN 311	5,8	55	65	80	150	120	-	275	80	30	230	18	23	M 16	11,5	-

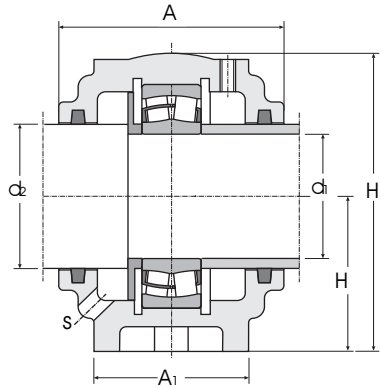
Plummer Blocks (split) DIN 738 + 739

Series SN 2 and SN 3

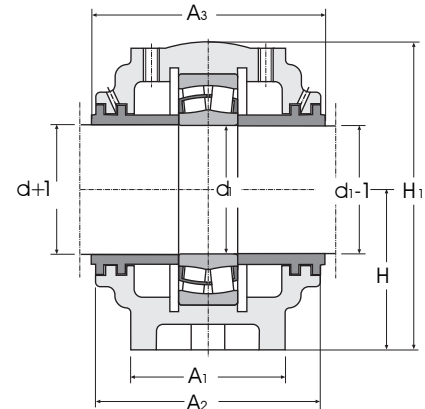
For self-aligning ball bearings or spherical roller bearings with cylindrical bore



SN...VS



SN...R



SN...DSS

d ₁	Matching bearing	Fixing ring Qty and Ref No	Order ref			
			Housing with felt seal	Housing with lubricating and grease outlet holes	Housing with grease quantity regulator	Housing with double labyrinth seal
45	1209	2 x FR 6/85	SN 209	SN 209 VS	SN 209 R	
	2209	1 x FR 8/85				
	22209	1 x FR 8/85				
	1309	2 x FR 10,5/100	SN 309	SN 309 VS	SN 309 R	
	2309	1 x FR 10/100				
	21309	2 x FR 10,5/100				
50	22309	1 x FR 10/100				
	1210	2 x FR 6,5/90	SN 210	SN 210 VS	SN 210 R	
	2210	1 x FR 10/90				
	22210	1 x FR 10/90				
	1310	2 x FR 11,5/110	SN 310	SN 310 VS	SN 310 R	
	2310	1 x FR 10/110				
55	21310	2 x FR 11,5/110				
	22310	1 x FR 10/110				
	1211	2 x FR 6/100	SN 211	SN 211 VS	SN 211 R	SN 211 DSS
	2211	1 x FR 8/100				
	22211	1 x FR 8/100				
	1311	2 x FR 12/120	SN 311	SN 311 VS	SN 311 R	
	2311	1 x FR 10/120				
	21311	2 x FR 12/120				
	22311	1 x FR 10/120				

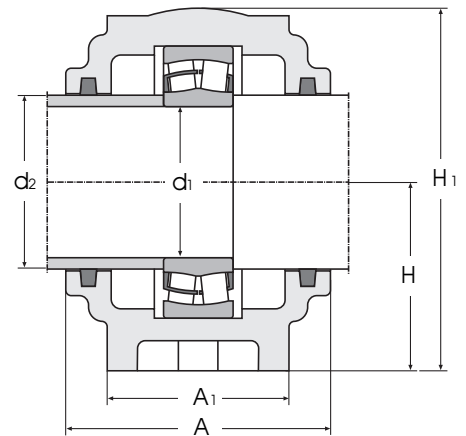
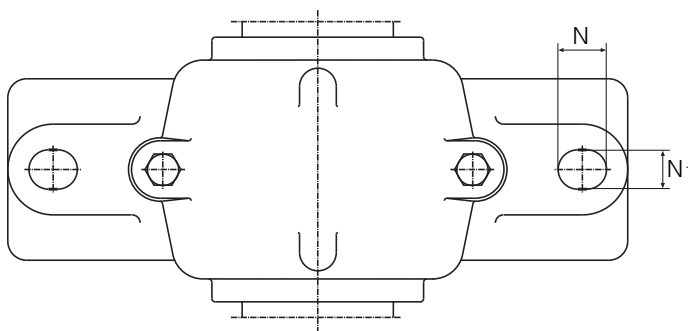
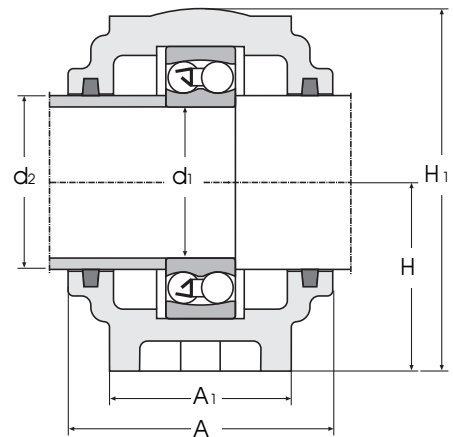
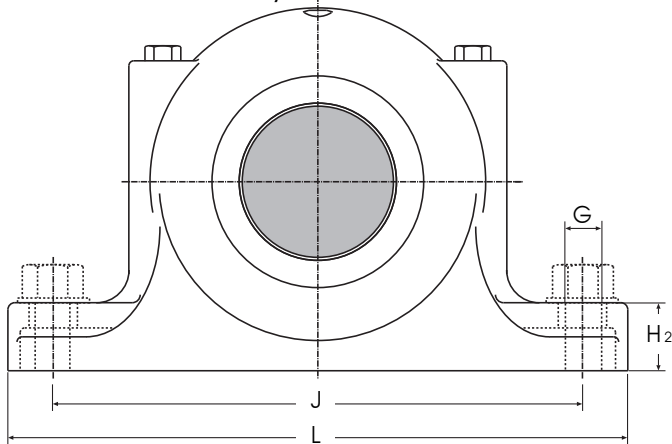
* for other seals see on page 7

Plummer Blocks (split) DIN 738 + 739



Series SN 2 and SN 3

For self-aligning ball bearings or spherical roller bearings with cylindrical bore

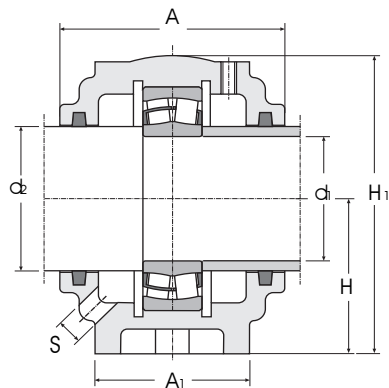


Housing Ref No	Weight kg	d ₁	d ₂	H	H ₁	A	A ₂	L	A ₁ mm	H ₂	J	N ₁	N	G	s	A ₃
SN 212	4,6	60	70	70	135	105	124	255	70	30	210	18	23	M 16	11,5	130
SN 312	6,5	60	70	80	155	125	-	280	80	30	230	18	23	M 16	11,5	-
SN 213	5,9	65	75	80	150	110	129	275	80	30	230	18	23	M 16	11,5	135
SN 313	8,7	65	75	95	175	130	-	315	90	32	260	22	27	M 20	15,0	-
SN 214	6,5	70	80	80	150	115	135	275	80	30	230	18	23	M 16	11,5	141
SN 314	10,0	70	80	95	185	130	-	320	90	32	260	22	27	M 20	15,0	-

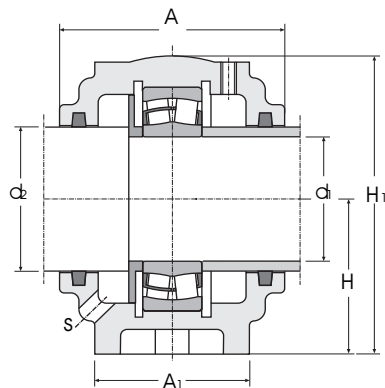
Plummer Blocks (split) DIN 738 + 739

Series SN 2 and SN 3

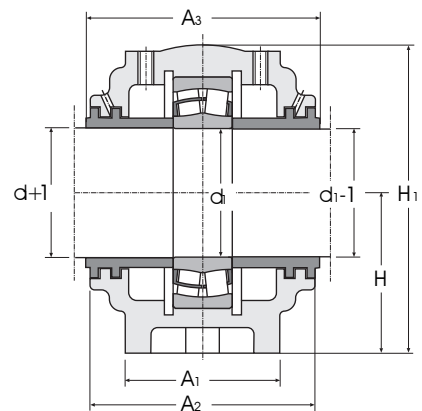
For self-aligning ball bearings or spherical roller bearings with cylindrical bore



SN...VS



SN...R



SN...DSS

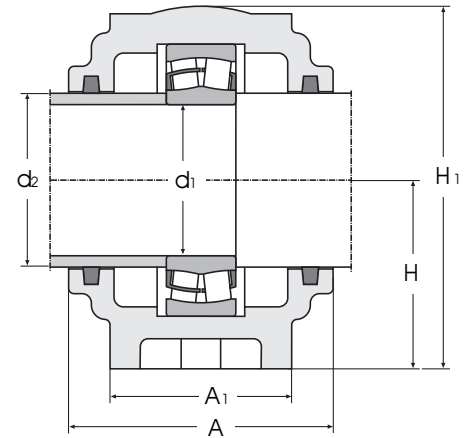
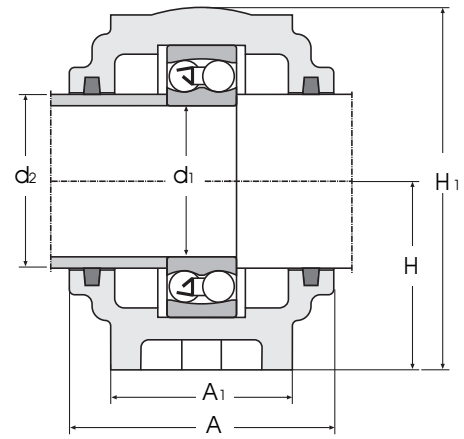
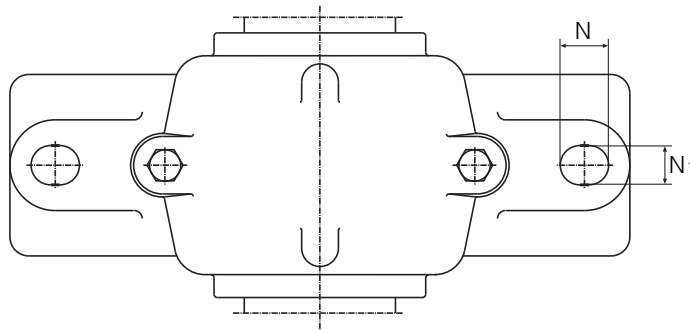
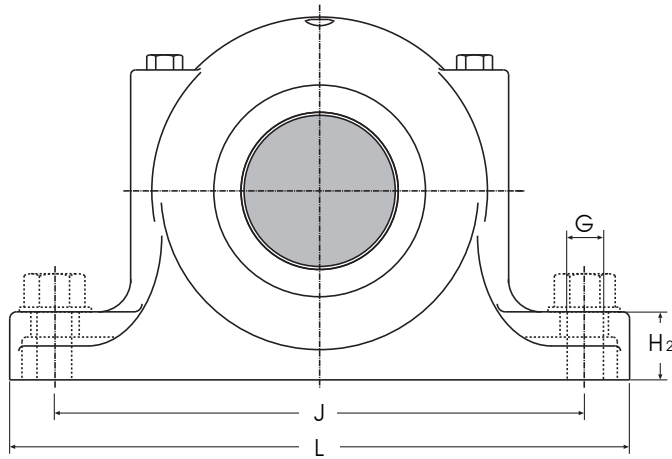
d ₁	Matching bearing	Fixing ring Qty and Ref No	Order ref			
			Housing with felt seal	Housing with lubricating and grease outlet holes	Housing with grease quantity regulator	Housing with double labyrinth seal
60	1212	2 x FR 8/110	SN 212	SN 212 VS	SN 212 R	SN 212 DSS
	2212	1 x FR 10/110				
	22212	1 x FR 10/110				
	1312	2 x FR 12,5/130	SN 312	SN 312 VS	SN 312 R	
	2312	1 x FR 10/130				
	21312	2 x FR 12,5/130				
	22312	1 x FR 10/130				
65	1213	2 x FR 10/120	SN 213	SN 213 VS	SN 213 R	SN 213 DSS
	2213	1 x FR 10/120				
	22213	1 x FR 12/120				
	1313	2 x FR 12,5/140	SN 313	SN 313 VS	SN 313 R	
	2313	1 x FR 10/140				
	21313	2 x FR 12,5/140				
	22313	1 x FR 10/140				
70	1214	2 x FR 10/125	SN 214	SN 214 VS	SN 214 R	SN 214 DSS
	2214	1 x FR 13/125				
	22214	1 x FR 13/125				
	1314	2 x FR 13/150	SN 314	SN 314 VS	SN 314 R	
	2314	1 x FR 10/150				
	21314	2 x FR 13/150				
	22314	1 x FR 10/150				

* for other seals see on page 7

Plummer Blocks (split) DIN 738 + 739

Series SN 2 and SN 3

For self-aligning ball bearings or spherical roller bearings
with cylindrical bore

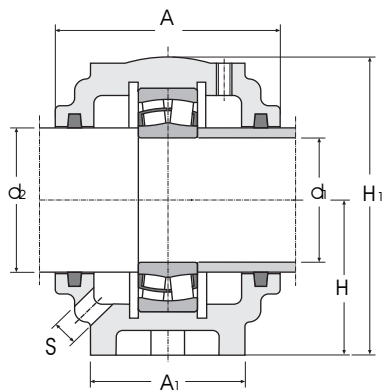


Housing Ref No	Weight kg	d ₁	d ₂	H	H ₁	A	A ₂	L	A ₁ mm	H ₂	J	N ₁	N	G	s	A ₃
SN 215	6,7	75	85	80	155	115	135	280	80	30	230	18	23	M 16	11,5	141
SN 315	11,3	75	85	100	195	140	-	345	100	35	290	22	27	M 20	15	-
SN 216	8,5	80	90	95	175	120	138	315	90	32	260	22	27	M 20	15	144
SN 316	12,6	80	90	112	210	145	-	345	100	35	290	22	27	M 20	15	-
SN 217	9,3	85	95	95	185	125	143	320	90	32	260	22	27	M 20	15	149
SN 317	15,0	85	95	112	215	155	-	380	110	40	320	26	32	M 24	15	-

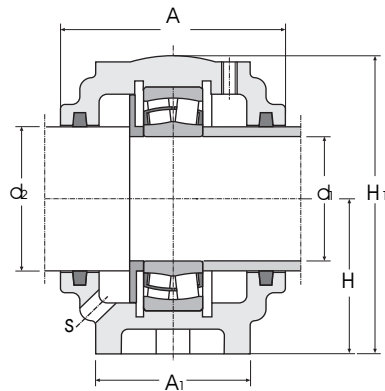
Plummer Blocks (split) DIN 738 + 739

Series SN 2 and SN 3

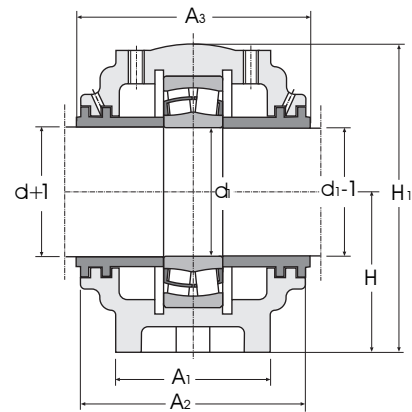
For self-aligning ball bearings or spherical roller bearings
with cylindrical bore



SN...VS



SN...R



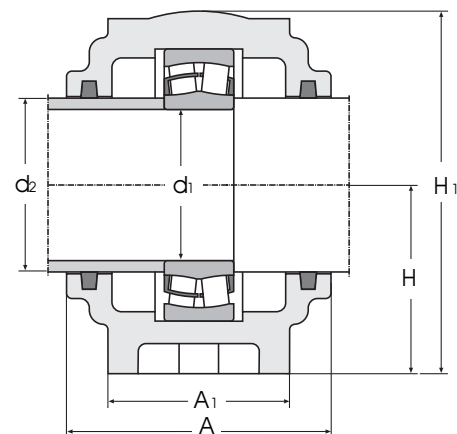
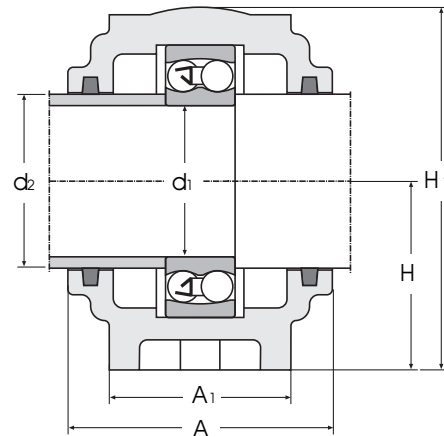
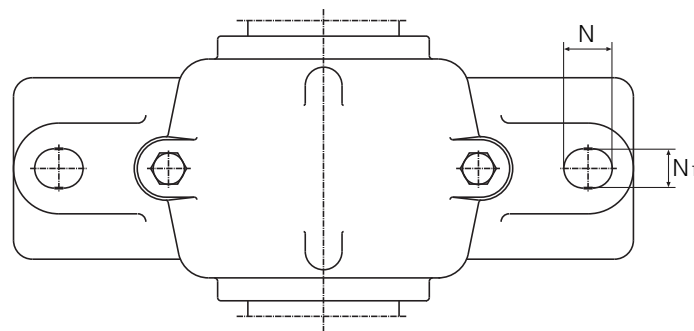
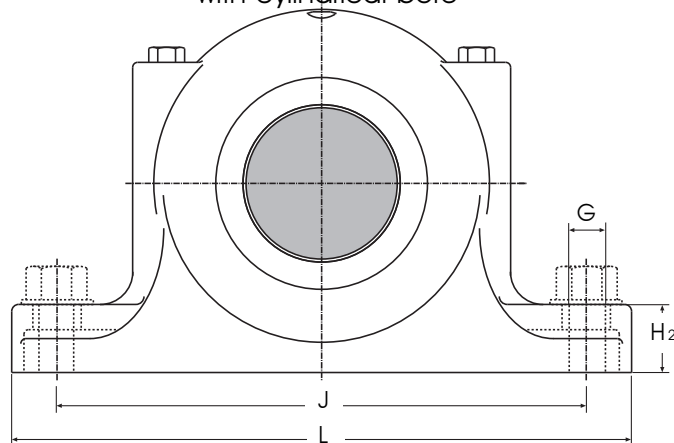
SN...DSS

d ₁	Matching bearing	Fixing ring Qty and Ref No	Order ref			
			Housing with felt seal	Housing with lubricating and grease outlet holes	Housing with grease quantity regulator	Housing with double labyrinth seal
75	1215	2 x FR 8/130	SN 215	SN 215 VS	SN 215 R	SN 215 DSS
	2215	1 x FR 10/130				
	22215	1 x FR 10/130				
	1315	2 x FR 14/160	SN 315	SN 315 VS	SN 315 R	
	2315	1 x FR 10/160				
	21315	2 x FR 14/160				
80	1216	2 x FR 8,5/140	SN 216	SN 216 VS	SN 216 R	SN 216 DSS
	2216	1 x FR 10/140				
	22216	1 x FR 10/140				
	1316	2 x FR 14,5/170	SN 316	SN 316 VS	SN 316 R	
	2316	1 x FR 10/170				
	21316	2 x FR 14,5/170				
85	1217	2 x FR 9/150	SN 217	SN 217 VS	SN 217 R	SN 217 DSS
	2217	1 x FR 10/150				
	22217	1 x FR 10/150				
	1317	2 x FR 14,5/180	SN 317	SN 317 VS	SN 317 R	
	2317	1 x FR 10/180				
	21317	2 x FR 14,5/180				

Plummer Blocks (split) DIN 738 + 739

Series SN 2 and SN 3

For self-aligning ball bearings or spherical roller bearings
with cylindrical bore



Housing Ref No	Weight kg	d ₁	d ₂	H	H ₁	A	A ₂	L	A ₁ mm	H ₂	J	N ₁	N	G	s	A ₃
SN 218	11,8	90	100	100	195	145	161	345	100	35	290	22	27	M 20	15	169

SN 318	18,6	90	105	112	220	160	-	380	110	40	320	26	32	M 24	15	-
--------	------	----	-----	-----	-----	-----	---	-----	-----	----	-----	----	----	------	----	---

SN 219	13,4	95	110	112	210	140	-	345	110	35	290	22	27	M 20	15	-
--------	------	----	-----	-----	-----	-----	---	-----	-----	----	-----	----	----	------	----	---

SN 319	21,5	95	110	125	240	170	-	410	120	45	350	26	32	M 24	18	-
--------	------	----	-----	-----	-----	-----	---	-----	-----	----	-----	----	----	------	----	---

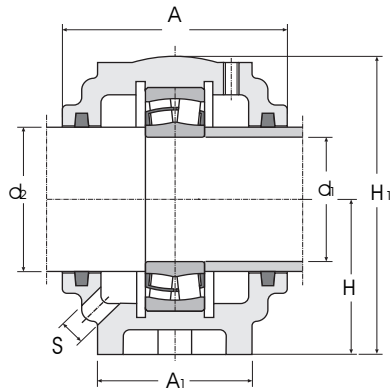
SN 220	15,5	100	115	112	215	160	174	380	110	40	320	26	32	M 24	15	182
--------	------	-----	-----	-----	-----	-----	-----	-----	-----	----	-----	----	----	------	----	-----

SN 320	24,6	100	115	140	270	175	-	410	120	45	350	26	32	M 24	18	-
--------	------	-----	-----	-----	-----	-----	---	-----	-----	----	-----	----	----	------	----	---

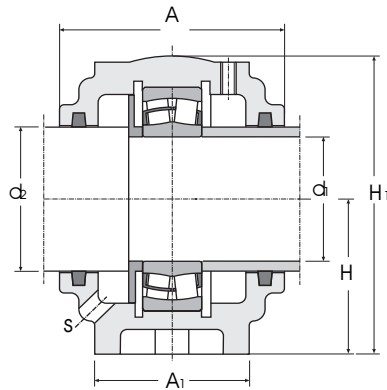
Plummer Blocks (split) DIN 738 + 739

Series SN 2 and SN 3

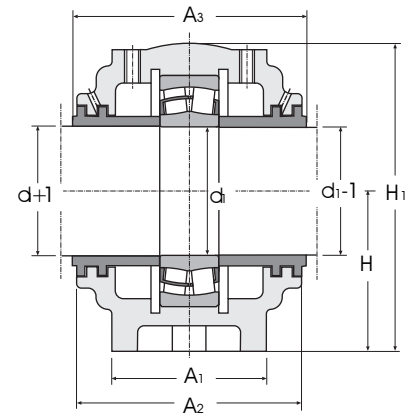
For self-aligning ball bearings or spherical roller bearings with cylindrical bore



SN...VS



SN...R



SN...DSS

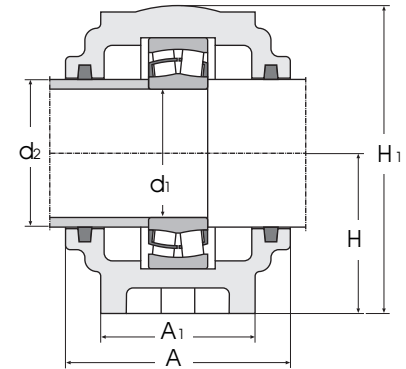
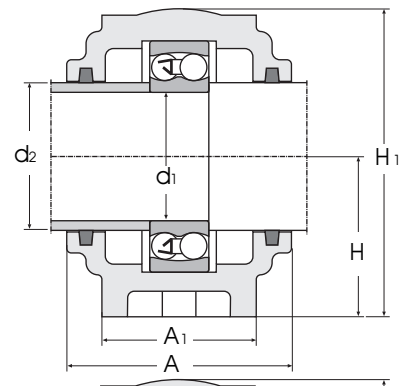
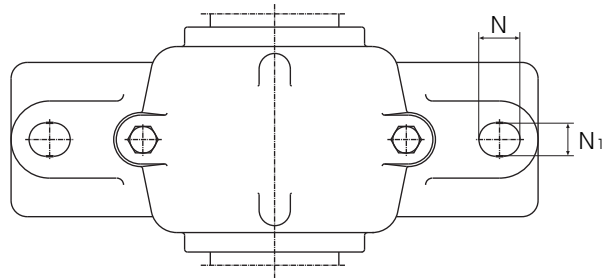
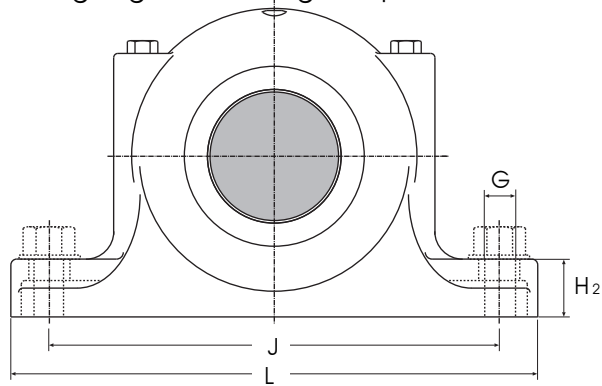
d ₁	Matching bearing	Fixing ring Qty and Ref No	Order ref			
			Housing with felt seal	Housing with lubricating and grease outlet holes	Housing with grease quantity regulator	Housing with double labyrinth seal
90	1218	2 x FR 16,2/160	SN 218	SN 218 VS	SN 218 R	SN 218 DSS
	2218	2 x FR 11,2/160				
	22218	2 x FR 11,2/160				
	23218	1 x FR 10/160				
	1318	2 x FR 15,5/190	SN 318	SN 318 VS	SN 318 R	
	2318	1 x FR 10/190				
	21318	2 x FR 15,5/190				
	22318	1 x FR 10/190				
	95	1219	2 x FR 10,5/170	SN 219	SN 219 VS	SN 219 R
2219		1 x FR 10/170				
22219		1 x FR 10/170				
1319		2 x FR 16/200	SN 319	SN 319 VS	SN 319 R	
2319		1 x FR 10/200				
21319		2 x FR 16/200				
22319		1 x FR 10/200				
100	1220	2 x FR 18,1/180	SN 220	SN 220 VS	SN 220 R	SN 220 DSS
	2220	2 x FR 12,1/180				
	22220	2 x FR 12,1/180				
	23220	1 x FR 10/180				
	1320	2 x FR 18/215	SN 320	SN 320 VS	SN 320 R	
	2320	1 x FR 10/215				
	21320	2 x FR 18/215				
	22320	1 x FR 10/215				

* for other seals see on page 7

Plummer Blocks (split) DIN 738 + 739

Series SN 2 and SN 3

For self-aligning ball bearings or spherical roller bearings with cylindrical bore

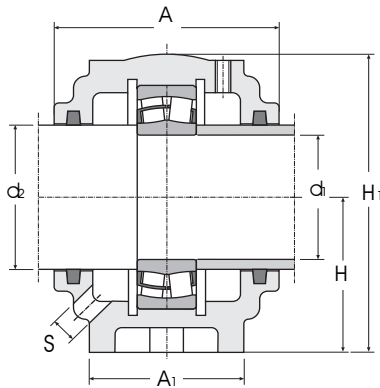


Housing Ref No	Weight kg	d ₁	d ₂	H	H ₁	A	A ₂	L	A ₁ mm	H ₂	J	N ₁	N	G	s	A ₃
SN 222	19,8	110	125	125	240	175	193	410	120	45	350	26	32	M 24	18	201
SN 322	31,4	110	125	150	295	190	-	450	130	50	390	28	35	M 24	18	-
SN 224	22,4	120	135	140	270	185	203	410	120	45	350	26	32	M 24	18	212
SN 324	47,2	120	135	160	321	200	-	530	160	60	450	35	42	M 30	18	-
SN 226	28,3	130	145	150	290	190	217	445	130	50	380	28	35	M 24	18	226
SN 326	55,0	130	150	170	345	210	-	550	160	60	470	35	42	M 30	18	-
SN 228	36,0	140	155	150	305	205	230	500	150	50	420	35	42	M 30	18	240
SN 328	69,0	140	160	180	365	235	-	620	170	65	520	35	42	M 30	18	-
SN 230	43,1	150	165	160	325	220	245	530	160	60	450	35	42	M 30	18	255
SN 330	94,5	150	170	190	385	245	-	650	180	65	560	35	42	M 30	18	-
SN 232	49,6	160	175	170	345	235	257	550	160	60	470	35	42	M 30	18	268
SN 332	109,5	160	180	200	405	255	-	680	190	70	580	42	50	M 36	18	-

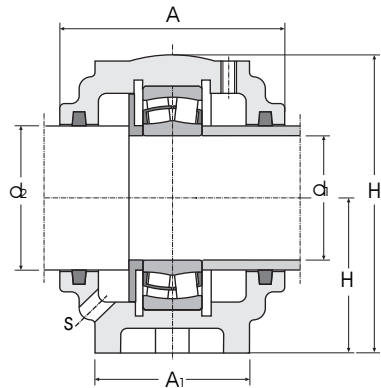
Plummer Blocks (split) DIN 738 + 739

Series SN 2 and SN 3

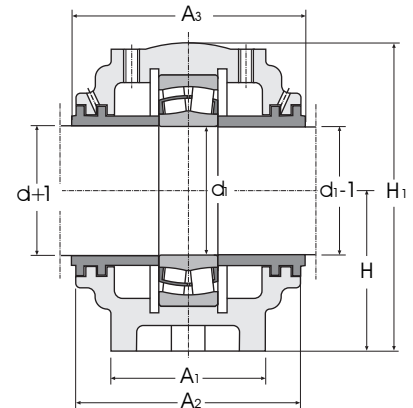
For self-aligning ball bearings or spherical roller bearings with cylindrical bore



SN...VS



SN...R



SN...DSS

d ₁	Matching bearing	Fixing ring Qty and Ref No	Order ref			
			Housing with felt seal	Housing with lubricating and grease outlet holes	Housing with grease quantity regulator	Housing with double labyrinth seal
110	1222	2 x FR 21/200	SN 222	SN 222 VS	SN 222 R	SN 222 DSS
	2222	2 x FR 13,5/200				
	22222	2 x FR 13,5/200				
	23222	1 x FR 10/200				
	20322	2 x FR 20/240	SN 322	SN 322 VS	SN 322 R	
	21322	2 x FR 20/240				
	22322	1 x FR 10/240				
	120	22224	2 x FR 14/215	SN 224	SN 224 VS	SN 224 R
23224		2 x FR 10/215				
20324		2 x FR 20,5/260	SN 324	SN 324 VS	SN 324 R	
22324		1 x FR 10/260				
130	22226	2 x FR 13/230	SN 226	SN 226 VS	SN 224 R	SN 226 DSS
	23226	1 x FR 10/230				
	20326	2 x FR 22,5/280	SN 326	SN 326 VS	SN 326 R	
	22326	1 x FR 10/280				
140	22228	2 x FR 15/250	SN 228	SN 228 VS	SN 228 R	SN 228 DSS
	23228	1 x FR 10/259				
	30328	2 x FR 25/300	SN 328	SN 328 VS	SN 328 R	
	22328	1 x FR 10/300				
150	22230	2 x FR 16,5/270	SN 230	SN 230 VS	SN 230 R	SN 230 DSS
	23230	1 x FR 10/270				
	20330	2 x FR 26,5/320	SN 330	SN 330 VS	SN 330 R	
	22330	1 x FR 10/320				
160	22232	2 x FR 17/290	SN 232	SN 232 VS	SN 232 R	SN 232 DSS
	23232	1 x FR 10/290				
	20332	2 x FR 28/340	SN 332	SN 332 VS	SN 332 R	
	22332	1 x FR 10/340				

* for other seals see on page 7