

S 30..K Plummer Block Housings are split housings for the fitting of series 230..K spherical roller bearings. These housings can be supplied suitable for spherical roller bearings with cylindrical bore, on request.

S 30..K housings are supplied as standard with felt seals. For extreme operating conditions however, the housings are available with additional V-ring or labyrinth seals.

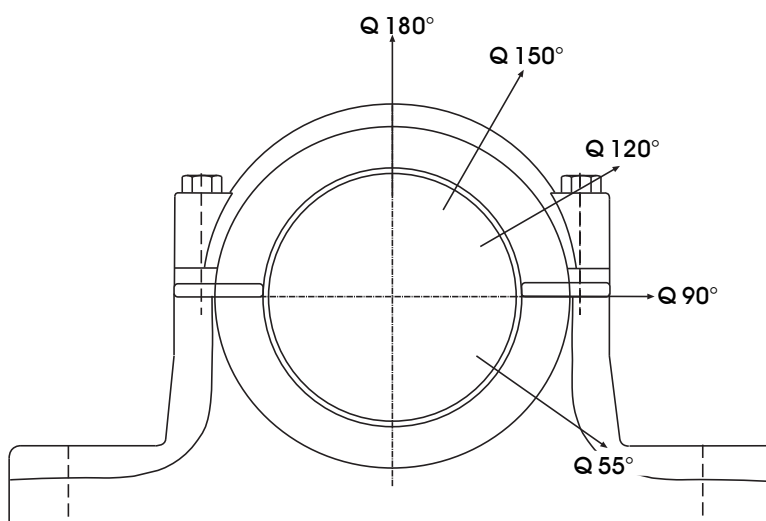
If the shaft terminates in the housing, an end cover (material GG20) is supplied instead of the seal.

S 30..K Plummer Block Housings are manufactured as standard, from Grey Cast Iron GG25. Housings from Spheroidal Cast Iron GGG40 or Cast Steel GS45 are also available for bearing applications requiring higher loads.

This housing series is designed for grease lubrication. In the majority of applications the grease applied during assembly is sufficient to last until the general inspection.

Should regreasing be necessary due to operating conditions, this can be carried out using the grease hole incorporated as standard.

Breaking loads for S 30..K Plummer Block Housings



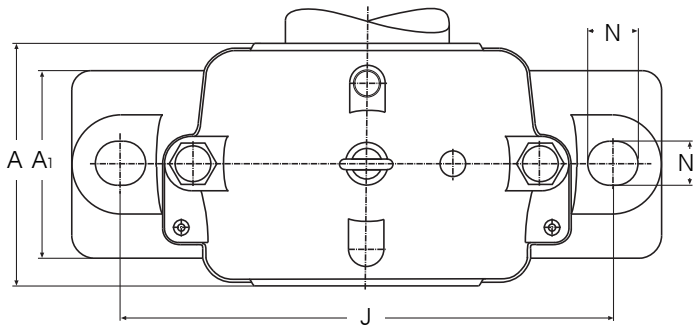
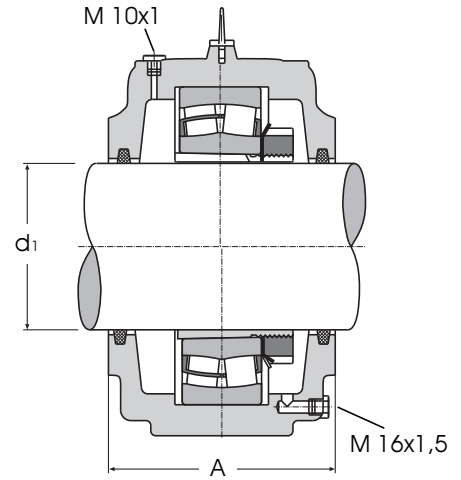
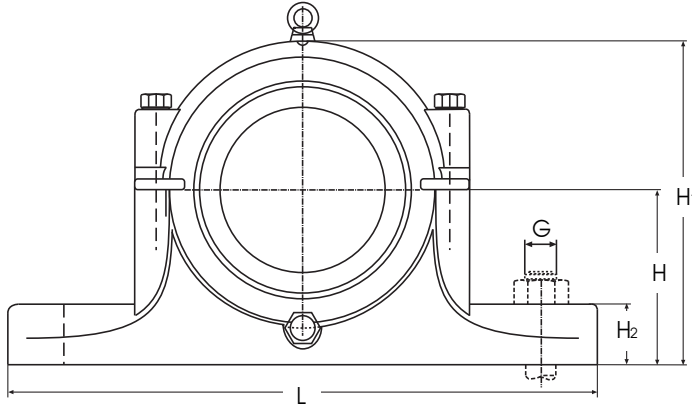
Housing Ref No	Breaking loads kN					Connecting bolts DIN 931 8.8	Torque Nm	Maximum load kN		
	Q 180°	Q 150°	Q 120°	Q 90°	Q 55°			Q 180°	Q 150°	Q 120°
S 3024 K	270	215	245	320	540	M20 x 90	200	130	150	260
S 3026 K	310	250	280	370	620	M20 x 100	200	130	150	260
S 3028 K	350	280	315	420	700	M20 x 100	200	130	150	260
S 3030 K	390	310	350	470	780	M20 x 100	200	130	150	260
S 3032 K	430	345	390	520	860	M20 x 100	200	130	150	260
S 3034 K	500	400	450	600	1000	M20 x 120	200	130	150	260
S 3036 K	580	465	520	700	1160	M20 x 130	200	130	150	260
S 3038 K	650	520	585	780	1300	M20 x 130	200	130	150	260
S 3040 K	740	590	665	890	1500	M24 x 140	350	180	210	360
S 3044 K	850	680	765	1020	1700	M24 x 160	350	180	210	360
S 3048 K	940	750	845	1130	1900	M24 x 160	350	180	210	360
S 3052 K	1100	880	990	1320	2200	M30 x 180	400	320	370	640
S 3056 K	1240	1000	1120	1500	2500	M30 x 190	400	320	370	640

* for other seals see on page 7

Plummer Block Housings (split)

Series S 30..K

For spherical roller bearings with adapter sleeve



Housing Ref No	Weight kg	d ₁	H	H ₁	A	L mm	A ₁	H ₂	J	N ₁	N	G
S 3024 K	16,5	110	112	215	150	390	110	40	320	30	36	M 24
S 3026 K	19,3	115	125	239	160	420	120	45	350	30	36	M 24
S 3028 K	24,6	125	140	259	170	420	120	45	350	30	36	M 24
S 3030 K	29,0	135	150	278	175	460	130	45	380	30	36	M 24
S 3032 K	37,0	140	150	288	190	470	130	50	390	30	36	M 24
S 3034 K	45,0	150	160	320	200	540	160	55	450	36	48	M 30
S 3036 K	65,0	160	170	340	210	560	160	55	470	36	48	M 30
S 3038 K	67,0	170	170	353	210	560	160	55	470	36	48	M 30
S 3040 K	72,0	180	180	373	235	615	170	60	515	36	48	M 30
S 3044 K	98,0	200	200	408	255	690	190	70	580	42	50	M 36
S 3048 K	110,0	220	210	433	265	720	200	75	610	42	50	M 36
S 3052 K	148,0	240	240	485	285	820	220	80	680	52	70	M 45
S 3056 K	165,0	260	250	505	295	860	230	80	720	52	70	M 45

Plummer Block Housings (split)

Series S 30..K

For spherical roller bearings with adapter sleeve

Housing Ref No	Matching bearing with adapter sleeve		Grease Qty first fill kg	Matching fixing rings		Felt strip DIN 5419	
				Ref	Qty	Ref	Qty
S 3024 K	23024 K	H 3024	0,50	FR 180/10	1	10 x 8,5-195	4
S 3026 K	23026 K	H 3026	0,80	FR 200/10	1	10 x 8,5-200	4
S 3028 K	23028 K	H 3028	0,90	FR 210/10	1	14 x 11-225	4
S 3030 K	23030 K	H 3030	1,10	FR 225/10	1	14 x 11-240	4
S 3032 K	23032 K	H 3032	1,20	FR 240/10	1	14 x 11-250	4
S 3034 K	23034 K	H 3034	1,40	FR 260/10	1	16 x 12-270	4
S 3036 K	23036 K	H 3036	1,70	FR 280/10	1	16 x 12-285	4
S 3038 K	23038 K	H 3038	1,90	FR 290/10	1	16 x 12-300	4
S 3040 K	23040 K	H 3040	2,20	FR 310/10	1	16 x 12-315	4
S 3044 K	23044 K	H 3044	2,90	FR 340/10	1	16 x 12-350	4
S 3048 K	23048 K	H 3048	4,00	FR 360/10	1	16 x 12-380	4
S 3052 K	23052 K	H 3052	4,50	FR 400/10	1	16 x 12-410	4
S 3056 K	23056 K	H 3056	5,10	FR 420/10	1	16 x 12-445	4

* for other seals see on page 7