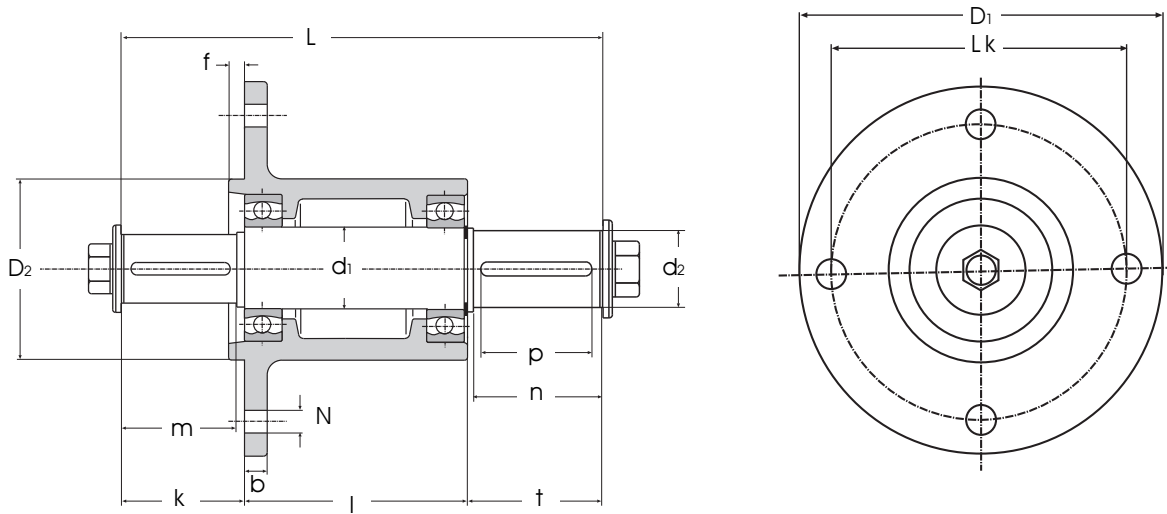


Flanged Double Bearing

Series ZLF



Two Bearing - Flange

Series ZLF2 flanged bearings are supplied as a complete unit comprising housing, shaft complete with feather key, end disc and 63..2 RS series ball bearings. The grease filling of the sealed bearing is suitable for a lifetime operation (approx 20,000 to 30,000 operating hours under normal operating conditions).

Housing Ref No	d ₁	d ₂	D ₁	D ₂	Lk	f	N	n mm	m	k	l	t	b	L	p	Weight kg
ZLF 204	20	18	135	70	110	5	6 x 9,5	50	38	45	85	53	10	183	32	2,5
ZLF 205	25	22	120	80	100	5	4 x 9,5	50	45	35	100	55	10	190	32	3,6
ZLF 206	30	28	150	90	125	6	4 x 11,5	50	60	50	112	55	12,5	217	36	5,0
ZLF 207	35	32	180	100	140	6	6 x 11,5	55	65	55	125	60	14	240	40	7,5
ZLF 208	40	35	200	112	160	6	6 x 11,5	55	75	65	140	60	16	265	40	10,5